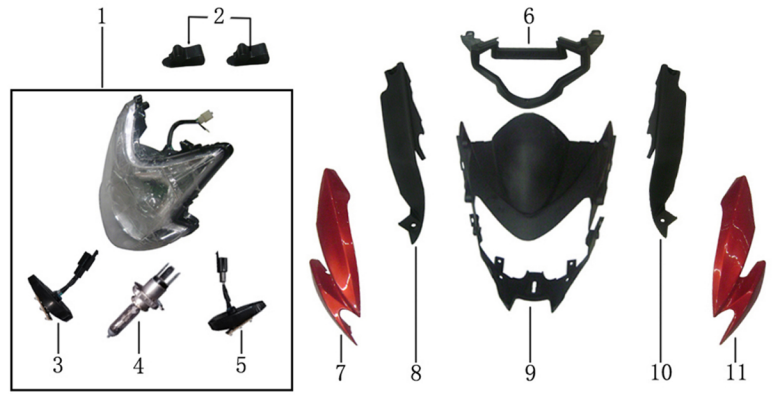




Model: LF150-10B Update Time: 2015/4/16 10:43:37

F-01 前照灯总成 前导流罩 HEADLIGHT & FRONT FAIRING

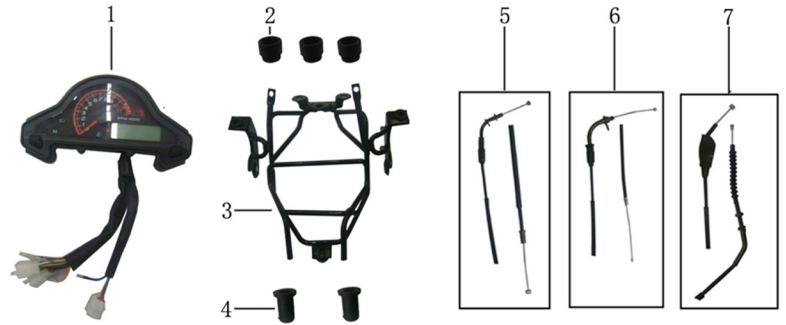


PartNo.	PartCode	Description	U.Price	Unit	Purchase
F01-01	QJZ33100A2A00	Headlight Assy	0.00	PC	Purchase
F01-02	XGA33183A0N05	Circlip	0.00	PC	Purchase
F01-03	QJZ33150A0A00	Socket set, front position light	0.00	PC	Purchase
F01-04	Q94012V3535HS1P	Bulb, HS112V35/35W	0.00	PC	Purchase
F01-05	QJZ30150A0A00	Socket set, front position light, LH	0.00	PC	Purchase
F01-06	QJZ43131A0A00	Case, meter	0.00	PC	Purchase
F01-07	QJZ43117A0Y18	Ornament, headlight housing, RH	0.00	PC	Purchase
F01-08	QJZ43361A0A00	Guard, RH	0.00	PC	Purchase
F01-09	QJZ43111A0A00	Housing set, headlight	0.00	PC	Purchase
F01-10	QJZ43461A0A00	Guard, LH	0.00	PC	Purchase
F01-11	QJZ43118A0Y18	Ornament, headlight housing, LH	0.00	PC	Purchase

F-02 仪表总成 METER



Model: LF150-10B Update Time: 2015/4/16 10:43:37



PartNo.	PartCode	Description	U.Price	Unit	Purchase
F02-01	QJZ37000A1A00	Meter Assy	0.00	PC	Purchase
F02-02	QJZ37951A0A00	Meter Gasket	0.00	PC	Purchase
F02-03	QJZ33910B1B01	Stay comp., headlight	0.00	PC	Purchase
F02-04	UIA33912A1A00	Boot, headlight stay	0.00	PC	Purchase
F02-05	JJM46350A0A00	Cable, choke	0.00	PC	Purchase
F02-06	QJZ46300A2A00	Cable comp., throttle	0.00	PC	Purchase
F02-07	QJZ46200A0A00	Cable, clutch	0.00	PC	Purchase



F-03 握把 开关 GRIP & SWITCH

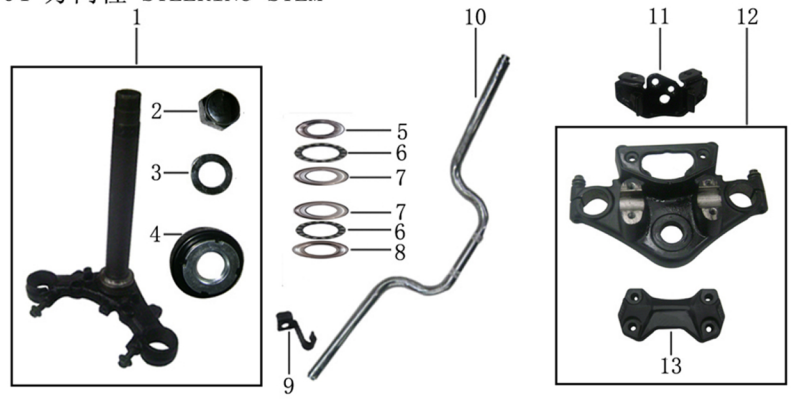


Model: LF150-10B Update Time: 2015/4/16 10:43:37

PartNo.	PartCode	Description	U.Price	Unit	Purchase
F03-01	QJZ47600A0B01	Lever comp., clutch	0.00	PC	Purchase
F03-02	QJZ47611A0B01	Lever, clutch	0.00	PC	Purchase
F03-03	JLC57200A0B01	Mirror, rearview, LH	0.00	PC	Purchase
F03-04	JLC57100A0B01	Mirror, rearview, RH	0.00	PC	Purchase
F03-05	QJZ47370A0B01	Weight, steering bar	0.00	PC	Purchase
F03-06	QJZ47411A0B01	Grip, LH	0.00	PC	Purchase
F03-07	QJZ35200A0A00	Switch, handlebar, LH	0.00	PC	Purchase
F03-08	QJZ35100A0A00	Switch, handlebar, RH	0.00	PC	Purchase
F03-09	QJZ47300A0B01	Grip comp., throttle	0.00	PC	Purchase



F-04 方向柱 STEERING STEM



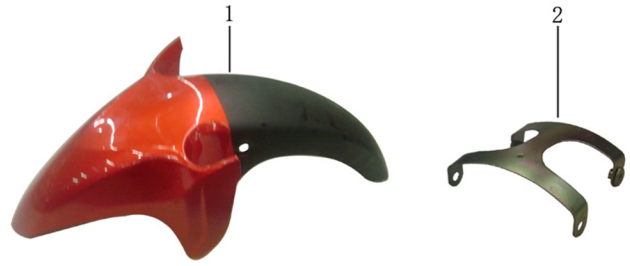
Model: LF150-10B Update Time: 2015/4/16 10:43:37

PartNo.	PartCode	Description	U.Price	Unit	Purchase
F04-01	QJZ51210A0B01	Stem set, steering	0.00	PC	Purchase
F04-02	UMX93221A0M01	Nut, cap, M24×1-17	0.00	PC	Purchase
F04-03	UMX93541A3M01	Washer, plain, 24.5×Φ37-1	0.00	PC	Purchase
F04-04	ULA51975A0A00	Dust cover, steering stem	0.00	PC	Purchase
F04-05	QJX51951A0A00	Top Bearing Top Ball Race	0.00	PC	Purchase
F04-06	QJX51950A1A00	Steering Stem Bearing Set	0.00	PC	Purchase
F04-07	QJX51952A0A00	Top Bearing Bottom Ball Race	0.00	PC	Purchase
F04-08	QJZ51954A0A00	Bottom Bearing Bottom Ball Race	0.00	PC	Purchase
F04-09	QJZ37982A0B01	Lug, speed sensor	0.00	PC	Purchase
F04-10	QJZ47110A0M01	Pipe set, steering bar	0.00	PC	Purchase
F04-11	QJZ35940A0B01	Lid comp., ignition switch lock	0.00	PC	Purchase
F04-12	QJZ51311A0B03	Bridge, upper	0.00	PC	Purchase
F04-13	QJZ47151A0B01	Clamp, steering bar	0.00	PC	Purchase



Model: LF150-10B Update Time: 2015/4/16 10:43:37

F-05 前挡泥板 FRONT FENDER

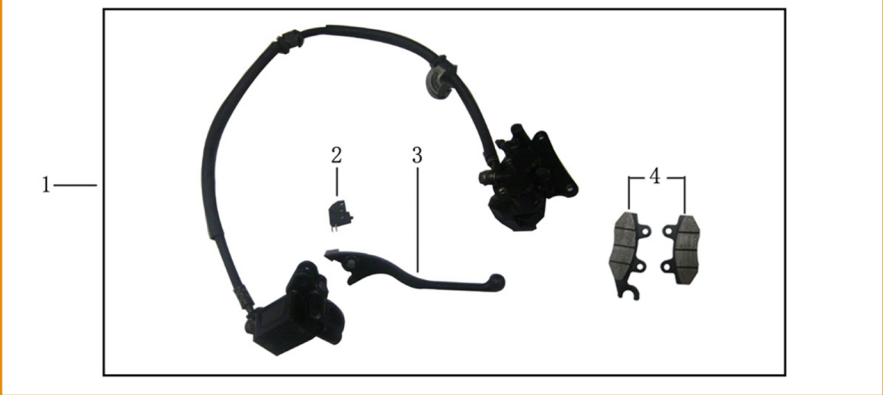


PartNo.	PartCode	Description	U.Price	Unit	Purchase
F05-01	QJZ53111A3Y80	Front Fender	0.00	PC	Purchase
F05-02	QJZ53120A0N03	Lining set, front fender	0.00	PC	Purchase

F-06 前液压制动器总成 FRONT HYDRAULIC BRAKE ASSY



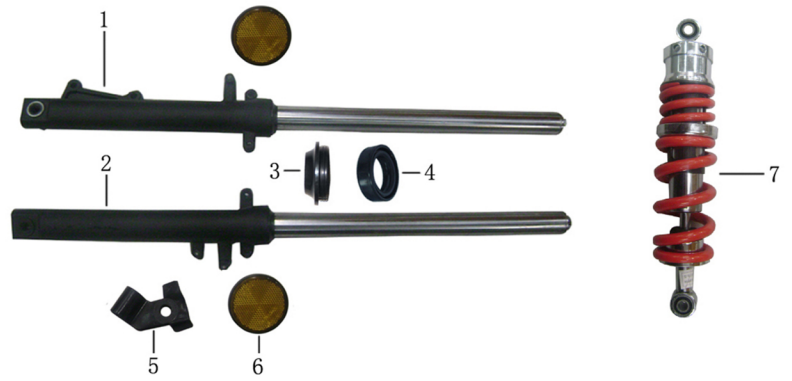
Model: LF150-10B Update Time: 2015/4/16 10:43:37



PartNo.	PartCode	Description	U.Price	Unit	Purchase
F06-01	QJZ56000A1A00	Front Hydraulic Brake Assy	0.00	PC	Purchase
F06-02	QJZ35310A0A00	Front Brake Switch	0.00	PC	Purchase
F06-03	QJZ47511A0B01	Front Brake Lever	0.00	PC	Purchase
F06-04	QJZ56520A0A00	Front Brake Shoe Set	0.00	SET	Purchase



F-07 减震器 SHOCK ABSORBER



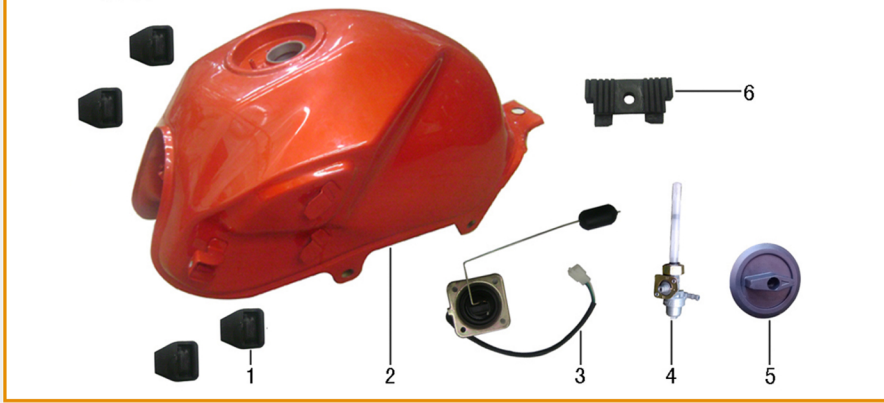
Model: LF150-10B Update Time: 2015/4/16 10:43:37

PartNo.	PartCode	Description	U.Price	Unit	Purchase
F07-01	QJZ52400A0B03	Shock absorber, front, RH	0.00	PC	Purchase
F07-02	QJZ52500A0B03	Shock absorber, front, LH	0.00	PC	Purchase
F07-03	XXXXXXXXXXXXXXXX	Dust Cover	0.00	PC	Non-Supply
F07-04	XXXXXXXXXXXXXXXX	Oil Seal,Front Shock Absorber	0.00	PC	Non-Supply
F07-05	QJZ37981A0B01	Stay, speed sensor	0.00	PC	Purchase
F07-06	NIX33810A0A00	Reflector, front	0.00	PC	Purchase
F07-07	QJZ62100A0M01	Shock absorber Assy, rear	0.00	PC	Purchase



Model: LF150-10B Update Time: 2015/4/16 10:43:37

F-08 油箱 FUEL TANK



PartNo.	PartCode	Description	U.Price	Unit	Purchase
F08-01	QJZ16956A0A00	Rubber, front fuel tank	0.00	PC	Purchase
F08-02	QJZ16610A1Y18	Tank weldment, fuel	0.00	PC	Purchase
F08-03	QJZ37810A0A00	Sensor, fuel	0.00	PC	Purchase
F08-04	JLC16810A0N03	Cock comp., fuel	0.00	PC	Purchase
F08-05	QJZ16818A0B03	Handle, fuel cock	0.00	PC	Purchase
F08-06	QJZ16995A0A00	Cushion, rear fuel tank	0.00	PC	Purchase

F-09 油箱护板 FUEL TANK GUARD



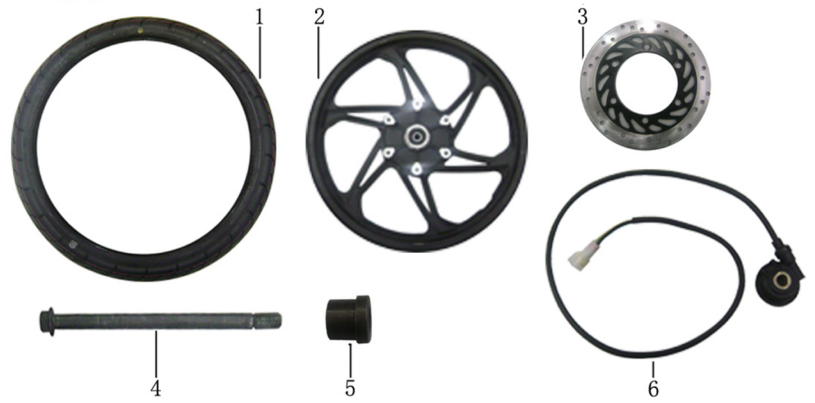
Model: LF150-10B Update Time: 2015/4/16 10:43:37



PartNo.	PartCode	Description	U.Price	Unit	Purchase
F09-01	QJZ49110A0Y18	Ornament set, fuel tank, RH	0.00	PC	Purchase
F09-02	QJZ49112A0A00	Ornament, fuel tank inner, RH	0.00	PC	Purchase
F09-03	QJZ19461A0A00	Hood, radiator	0.00	PC	Purchase
F09-04	QJZ49122A0A00	Ornament, fuel tank inner, LH	0.00	PC	Purchase
F09-05	QJZ49120A0Y18	Ornament set, fuel tank, LH	0.00	PC	Purchase



F-10 前轮 FRONT WHEEL



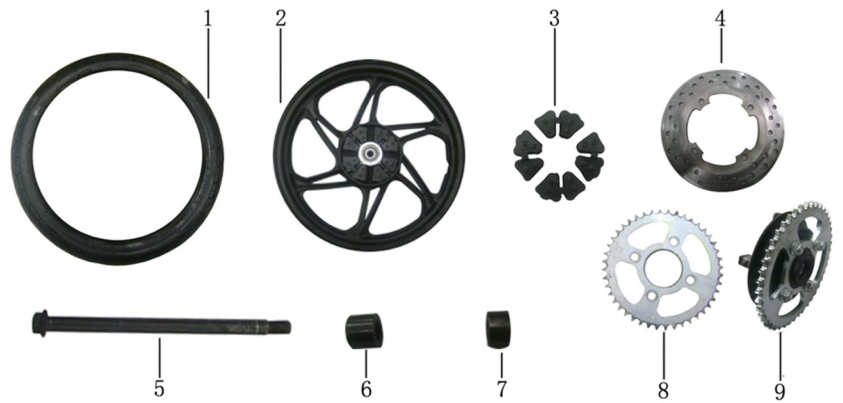
Model: LF150-10B Update Time: 2015/4/16 10:43:37

PartNo.	PartCode	Description	U.Price	Unit	Purchase
F10-01	QJZ54700A0A00	Tyre, front	0.00	PC	Purchase
F10-02	QJZ54100A1B03	Hub comp., front wheel	0.00	PC	Purchase
F10-03	QJZ56311A0A00	Disc, front brake	0.00	PC	Purchase
F10-04	ULA54911A0N04	Axle, front	0.00	PC	Purchase
F10-05	QJZ54912A0N04	Bush, front wheel, RH	0.00	PC	Purchase
F10-06	JJM37870A0A00	Sensor, speed	0.00	PC	Purchase



Model: LF150-10B Update Time: 2015/4/16 10:43:37

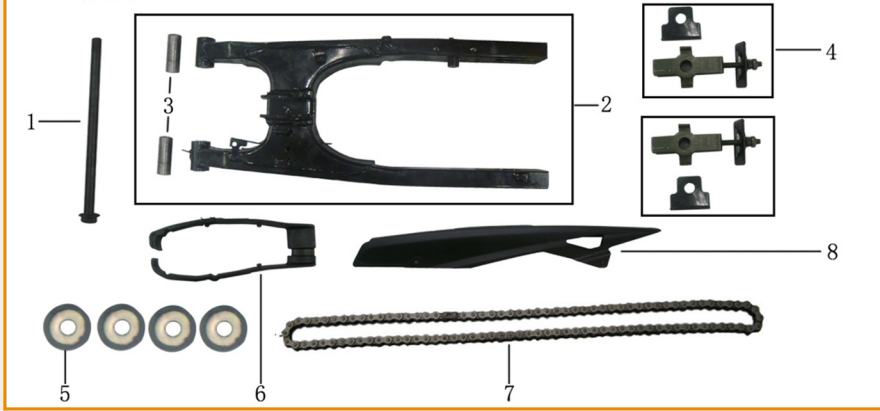
F-11 后轮 REAR WHEEL



PartNo.	PartCode	Description	U.Price	Unit	Purchase
F11-01	QJZ64700A0A00	Tyre, rear	0.00	PC	Purchase
F11-02	QJZ64100A1B03	Hub, rear wheel	0.00	PC	Purchase
F11-03	QJX64253A0A00	Buffer, rear wheel	0.00	SET	Purchase
F11-04	QJZ66311A0A00	Disc, rear brake	0.00	PC	Purchase
F11-05	ZJX54911A0N04	Axle, rear	0.00	PC	Purchase
F11-06	QJZ64913A0N04	Rear Wheel Bush,LH	0.00	PC	Purchase
F11-07	QJZ64912A0N04	Rear Wheel Bush, RH	0.00	PC	Purchase
F11-08	QJZ68521A0N01	Sprocket	0.00	PC	Purchase
F11-09	QJZ68500A1A00	Hub Assy, sprocket	0.00	PC	Purchase



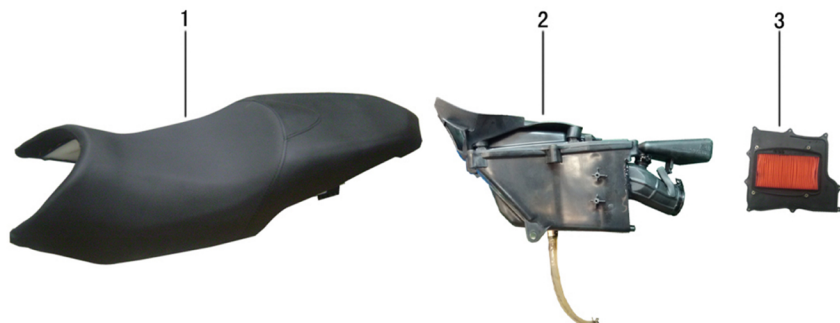
F-12 后叉 REAE FORK



Model: LF150-10B Update Time: 2015/4/16 10:43:37

PartNo.	PartCode	Description	U.Price	Unit	Purchase
F12-01	QJZ61951A0N04	Shaft, rear fork	0.00	PC	Purchase
F12-02	QJZ61101A0A00	Fork comp., rear	0.00	PC	Purchase
F12-03	ULA61922A0A00	Bush, rear fork, inner	0.00	PC	Purchase
F12-04	QJZ61400A1A00	Adjuster set, chain	0.00	PC	Purchase
F12-05	ZJA61240A0A00	Dust cover, rear fork shaft	0.00	PC	Purchase
F12-06	QJZ61491A0A00	Guide, chain	0.00	PC	Purchase
F12-07	Q98008MC126	Chain, 08MC×126	0.00	PC	Purchase
F12-08	QJZ61311A0A00	Chaincase	0.00	PC	Purchase

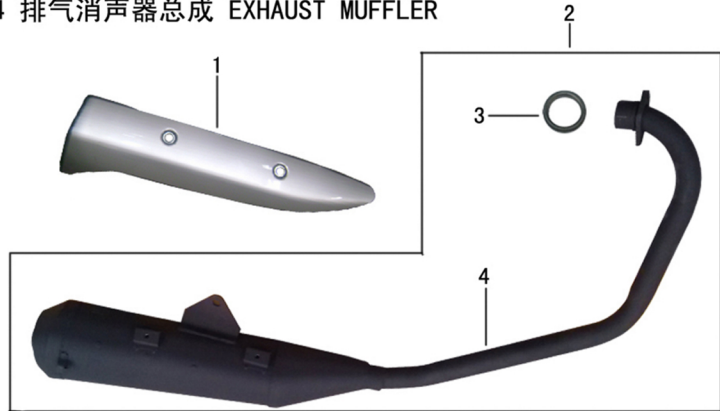
F-13 坐垫 空滤器 SEAT & AIR CLEANER



Model: LF150-10B Update Time: 2015/4/16 10:43:37

PartNo.	PartCode	Description	U.Price	Unit	Purchase
F13-01	QJZ44100A1A00	Seat Assy	0.00	PC	Purchase
F13-02	QJZ17100A1A00	Cleaner Assy, air	0.00	PC	Purchase
F13-03	QJZ17120A0A00	Element, air cleaner	0.00	PC	Purchase

F-14 排气消声器总成 EXHAUST MUFFLER

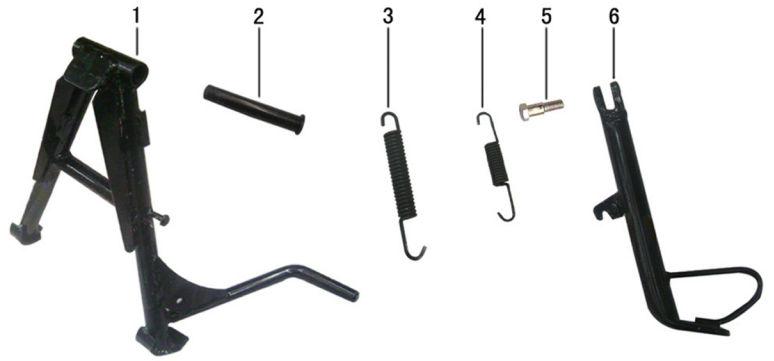


Model: LF150-10B Update Time: 2015/4/16 10:43:37

PartNo.	PartCode	Description	U.Price	Unit	Purchase
F14-01	QJZ18391A0W01	Ornament, muffler	0.00	PC	Purchase
F14-02	QJZ18000A0B11	Muffler Assy, exhaust	0.00	PC	Purchase
F14-03	XXXXXXXXXXXXXXXX	Gasket set, muffler	0.00	PC	Non-Supply
F14-04	XXXXXXXXXXXXXXXX	Muffler comp., exhaust	0.00	PC	Non-Supply



F-15 主支架 CENTER STAND

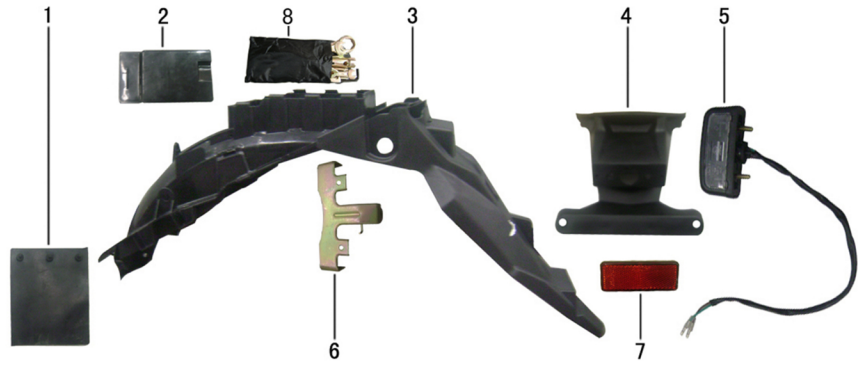


Model: LF150-10B Update Time: 2015/4/16 10:43:37

PartNo.	PartCode	Description	U.Price	Unit	Purchase
F15-01	QJZ42100A3B01	Stand, center	0.00	PC	Purchase
F15-02	QJZ42911A1N04	Shaft, center stand	0.00	PC	Purchase
F15-03	ZJA42913A0N04	Spring, center stand	0.00	PC	Purchase
F15-04	ZJX42922A0N04	Spring, side stand	0.00	PC	Purchase
F15-05	NIX93121A2N04	Bolt, pivot, M10×1.25×35-Φ12×17	0.00	PC	Purchase
F15-06	QJZ42200A0B01	Stand, side	0.00	PC	Purchase



F-16 后挡泥板 REAR FENDER

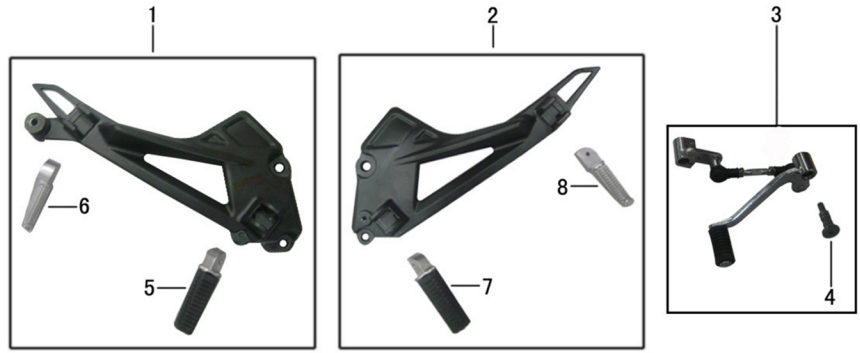


Model: LF150-10B Update Time: 2015/4/16 10:43:37

PartNo.	PartCode	Description	U.Price	Unit	Purchase
F16-01	QJZ63411A0A00	Flap, rear mud	0.00	PC	Purchase
F16-02	QJZ43612A0A00	Cover, tool box	0.00	PC	Purchase
F16-03	QJZ63111A0A00	Fender, rear	0.00	PC	Purchase
F16-04	QJZ63155A0A00	Ornament, rear	0.00	PC	Purchase
F16-05	QJZ33760A0A00	Light comp., license plate	0.00	PC	Purchase
F16-06	QJZ63920A0N03	Bracket set, front body	0.00	PC	Purchase
F16-07	ZJA33820A0A00	Reflector, rear	0.00	PC	Purchase
F16-08	YHA96100A0A00	Kit, tool	0.00	SET	Purchase



F-17 搁脚组合 FOOTRESTS



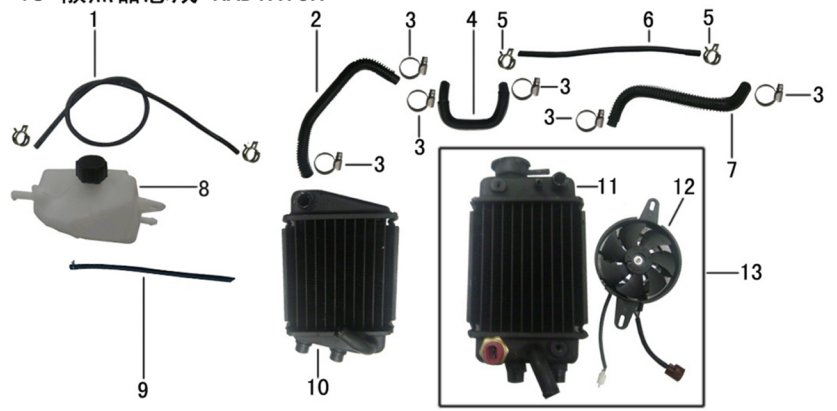
Model: LF150-10B Update Time: 2015/4/16 10:43:37

PartNo.	PartCode	Description	U.Price	Unit	Purchase
F17-01	QJZ42300A0B08	Footrest Assy, rider, RH	0.00	PC	Purchase
F17-02	QJZ42400A0B08	Footrest Assy, rider, LH	0.00	PC	Purchase
F17-03	QJZ24700A0M01	Lever, gearshift	0.00	PC	Purchase
F17-04	QJZ24713A0M01	Pivot, gearshift pedal	0.00	PC	Purchase
F17-05	QJZ42310A0A00	Footrest comp., rider, RH	0.00	PC	Purchase
F17-06	QJZ42511A0A00	Treadle, pillion, RH	0.00	PC	Purchase
F17-07	QJZ42410A0A00	Footrest comp., rider, LH	0.00	PC	Purchase
F17-08	QJZ42611A0A00	Treadle, pillion, LH	0.00	PC	Purchase



Model: LF150-10B Update Time: 2015/4/16 10:43:37

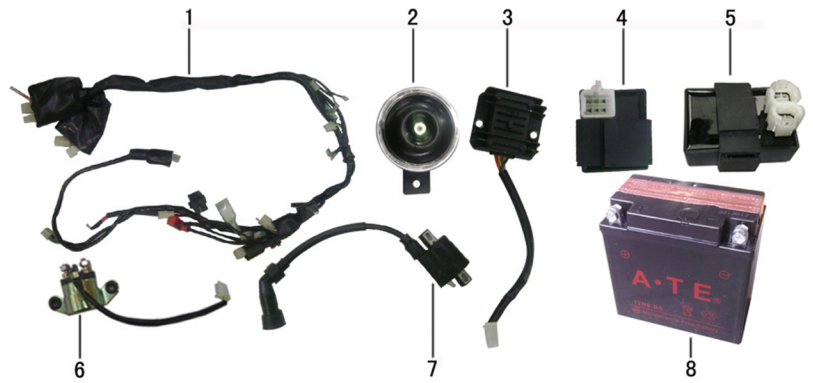
F-18 散热器总成 RADIATOR



PartNo.	PartCode	Description	U.Price	Unit	Purchase
F18-01	QJZ19131A1A00	Pipe, storage reservoir outlet	0.00	PC	Purchase
F18-02	QJZ19495A1A00	Hose, radiator inlet	0.00	PC	Purchase
F18-03	Q676B25	Clamp, 25	0.00	PC	Purchase
F18-04	QJZ20176A1A00	Pipe., connecting	0.00	PC	Purchase
F18-05	Q671B100F30	Clamp, 9	0.00	PC	Purchase
F18-06	QJZ19362A1A00	Pipe, small	0.00	PC	Purchase
F18-07	QJZ19431A1A00	Hose, radiator outlet	0.00	PC	Purchase
F18-08	QJZ19100A0A00	Reservoir, storage	0.00	PC	Purchase
F18-09	QJZ19132A1A00	Pipe II, storage reservoir outlet	0.00	PC	Purchase
F18-10	QJZ19410A0B01	Radiator set	0.00	PC	Purchase
F18-11	XXXXXXXXXXXXXXXX	Radiator	0.00	PC	Non-Supply
F18-12	TIX19800A0A00	Fan Assy	0.00	PC	Purchase
F18-13	QJZ19420A0B01	Radiator set II.	0.00	PC	Purchase



F-19 电器 ELECTRICAL ELEMENTS



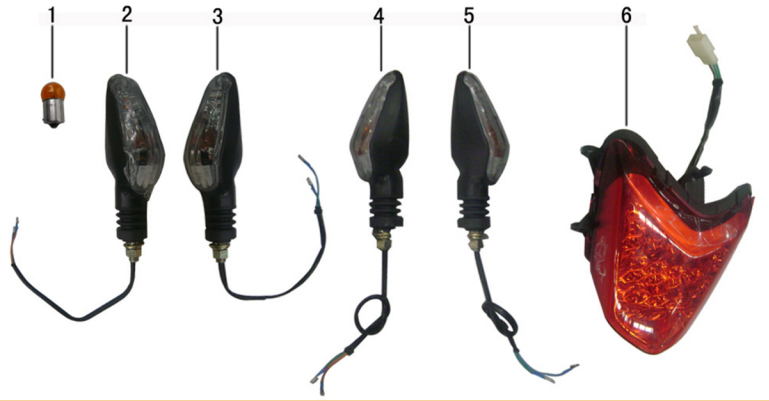
Model: LF150-10B Update Time: 2015/4/16 10:43:37

PartNo.	PartCode	Description	U.Price	Unit	Purchase
F19-01	QJZ32100A0A00	Cable, main	0.00	PC	Purchase
F19-02	QJZ38100A1B01	Horn	0.00	PC	Purchase
F19-03	XXXXXXXXXXXXXXXX	Rectifier	0.00	PC	Non-Supply
F19-04	JJA38210A0A00	Relay, flashing	0.00	PC	Purchase
F19-05	XXXXXXXXXXXXXXXX	Controller, ignition	0.00	PC	Non-Supply
F19-06	XXXXXXXXXXXXXXXX	Relay, starting	0.00	PC	Non-Supply
F19-07	XXXXXXXXXXXXXXXX	Coil, ignition	0.00	PC	Non-Supply
F19-08	ZJX31500A0A00	Battery,12N9-BS	0.00	PC	Purchase



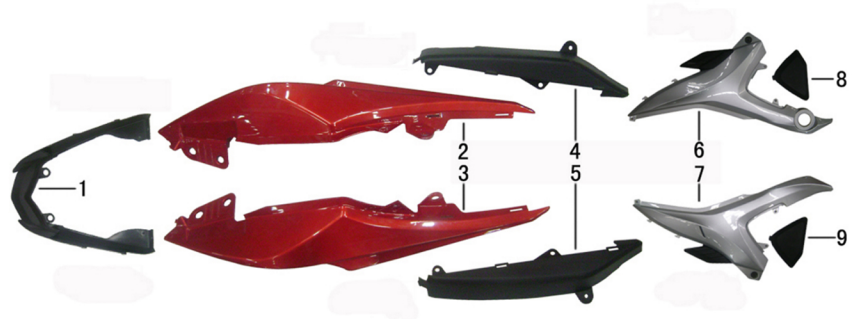
Model: LF150-10B Update Time: 2015/4/16 10:43:37

F-20 转向灯 尾灯 WINKER & TAILLIGHT



PartNo.	PartCode	Description	U.Price	Unit	Purchase
F20-01	Q940RY12V10	Bulb, RY12V10W	0.00	PC	Purchase
F20-02	QJZ33550A1A00	Winker, front, LH	0.00	PC	Purchase
F20-03	QJZ33510A1A00	Winker, front, RH	0.00	PC	Purchase
F20-04	QJZ33650A1A00	Winker, rear, LH	0.00	PC	Purchase
F20-05	QJZ33610A1A00	Winker, rear, RH	0.00	PC	Purchase
F20-06	QJZ33700A0A00	Taillight Assy	0.00	PC	Purchase

F-21 后围板 侧盖 REAR PANEL & SIDE COVER

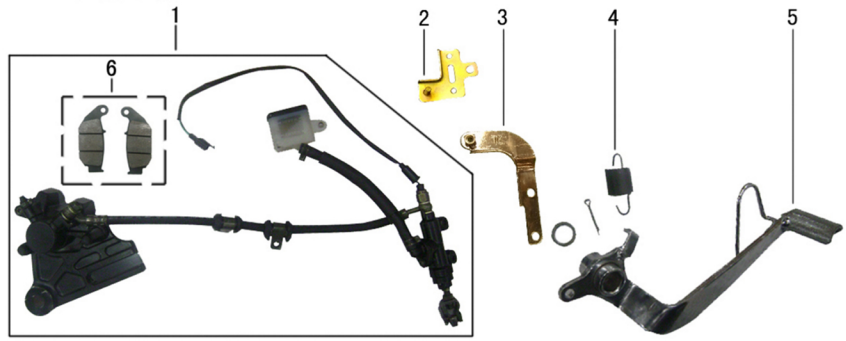


Model: LF150-10B Update Time: 2015/4/16 10:43:37

PartNo.	PartCode	Description	U.Price	Unit	Purchase
F21-01	QJZ43711A0A00	Panel, rear	0.00	PC	Purchase
F21-02	QJZ43722A0Y18	Ornament, rear panel, LH	0.00	PC	Purchase
F21-03	QJZ43712A0Y18	Ornament, rear panel, RH	0.00	PC	Purchase
F21-04	QJZ43754A0A00	Plate, rear panel connecting, LH	0.00	PC	Purchase
F21-05	QJZ43753A0A00	Plate, rear panel connecting, RH	0.00	PC	Purchase
F21-06	QJZ43410A0W35	Cover set, side, LH	0.00	PC	Purchase
F21-07	QJZ43310A0W35	Cover set, side, RH	0.00	PC	Purchase
F21-08	QJZ43414A5A00	Ornament, side cover, LH	0.00	PC	Purchase
F21-09	QJZ43314A5A00	Ornament, side cover, RH	0.00	PC	Purchase



F-22 后制动器 REAR BRAKE

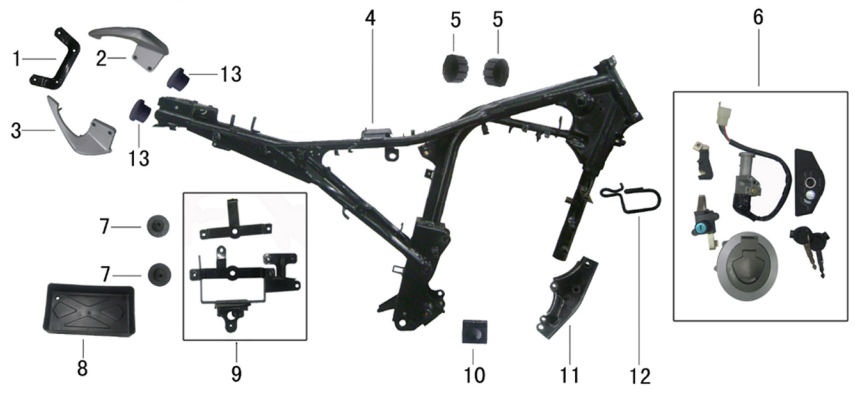


Model: LF150-10B Update Time: 2015/4/16 10:43:37

PartNo.	PartCode	Description	U.Price	Unit	Purchase
F22-01	QJZ66000A0A00	Rear Hydraulic Disc Brake	0.00	PC	Purchase
F22-02	QJZ66940A0N03	Bracket set, rear brake reservoir	0.00	PC	Purchase
F22-03	QJZ66930A0B01	Bracket set, rear brake master cylinder	0.00	PC	Purchase
F22-04	QJZ65940A1N04	Spring set, rear brake pedal	0.00	PC	Purchase
F22-05	QJZ65410A0M01	Pedal, rear brake	0.00	PC	Purchase
F22-06	QJZ66520A0A00	Rear Brake Shoe Set	0.00	SET	Purchase



F-23 车架总成 FRAME BODY



Model: LF150-10B Update Time: 2015/4/16 10:43:37

PartNo.	PartCode	Description	U.Price	Unit	Purchase
F23-01	QJZ43730A0B01	Bracket set, rear panel	0.00	PC	Purchase
F23-02	QJZ45531A0W01	Handrail, LH	0.00	PC	Purchase
F23-03	QJZ45511A0W01	Handrail, RH	0.00	PC	Purchase
F23-04	QJZ41100A0B15	Body weldment, frame	0.00	PC	Purchase
F23-05	QJZ16951A0A00	Cushion, fuel tank front	0.00	PC	Purchase
F23-06	QJZ48000A0A00	Lock Assy	0.00	SET	Purchase
F23-07	QJX31855A0A00	Cushion, battery	0.00	PC	Purchase
F23-08	QJZ31811A0A00	Case, battery	0.00	PC	Purchase
F23-09	QJZ31810A0B01	Stay set, battery	0.00	PC	Purchase
F23-10	QJZ42191A0A00	Rubber, center stand	0.00	PC	Purchase
F23-11	QJZ42711A0B01	Plate, engine front connecting	0.00	PC	Purchase
F23-12	QJZ32952A0B01	Clamp, main cable	0.00	PC	Purchase
F23-13	QJZ41995A0A00	Frame Hole Plug	0.00	PC	Purchase



Model: 158MJ

Update Time: 2015-3-30 13:29:22

E-01 气缸、气缸头 CYLINDER BLOCK & CYLINDER HEAD



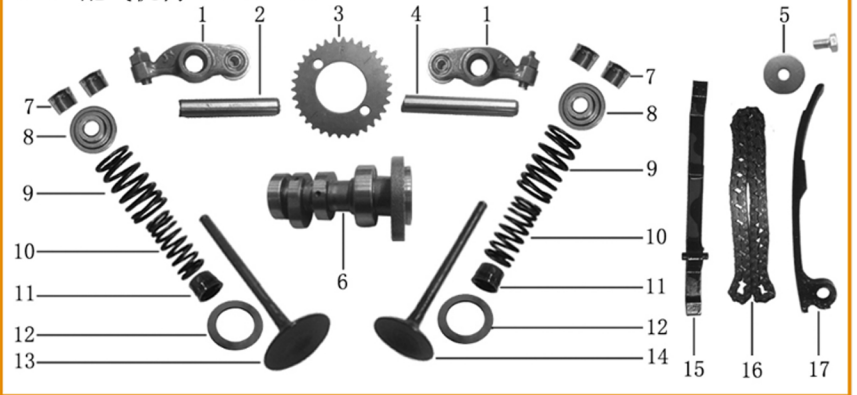
PartNo.	PartCode	Description	U.Price	Unit	Purchase
E01-01	BJX20650A0M01	Check Valve Vent Pipe Comp.	0.00	PC	Purchase
E01-02	GIA20661A2A00	Check Valve Vent Pipe Shim	0.00	PC	Purchase
E01-03	BIA12313A0M01	Cap nut M8	0.00	PC	Purchase
E01-04	FB093541K5Z10	Copper washer, bolt, cylinder	0.00	PC	Purchase
E01-05	BJX34210A0A00	Spark plug	0.00	PC	Purchase
E01-06	BJX17310A2Z50	Inle pipe set	0.00	PC	Purchase
E01-07	GIB19310A0A00	Thermostat Valve	0.00	PC	Purchase
E01-08	GIB19352A1B12	Thermostat Cover	0.00	PC	Purchase
E01-09	BJX12110A2B08	Block unit, cylinder	0.00	PC	Purchase
E01-10	BJX12242A0B08	Cover, cylinder head, LH	0.00	PC	Purchase
E01-11	Q1270845F32	Bolt, M8×45	0.00	PC	Purchase
E01-12	BJX12247A0A00	Gasket, cover, cylinder head, LH	0.00	PC	Purchase
E01-13	BJX12210A1B08	Head unit, cylinder	0.00	PC	Purchase
E01-14	BJX14137A0N02	Retainer, distributing camshaft	0.00	PC	Purchase
E01-15	PIF12243A0B08	Cover, valve	0.00	PC	Purchase
E01-16	BIA12246A0A00	Valve Cover O-Ring	0.00	PC	Purchase
E01-17	BJX12221A0B11	Gasket, cylinder head	0.00	PC	Purchase
E01-18	BJX12121A0A00	Gasket, cylinder block	0.00	PC	Purchase
E01-19	BIA12218A0A00	Dowel pin, cylinder headΦ10×20	0.00	PC	Purchase
E01-20	BIA14519A0W02	Washer, Tensioner	0.00	PC	Purchase
E01-21	BLA14500A2B08	Tensioner Assy	0.00	PC	Purchase



Model: 158MJ

Update Time: 2015-3-30 13:29:22

E-02 配气机构 VALVE TRAIN



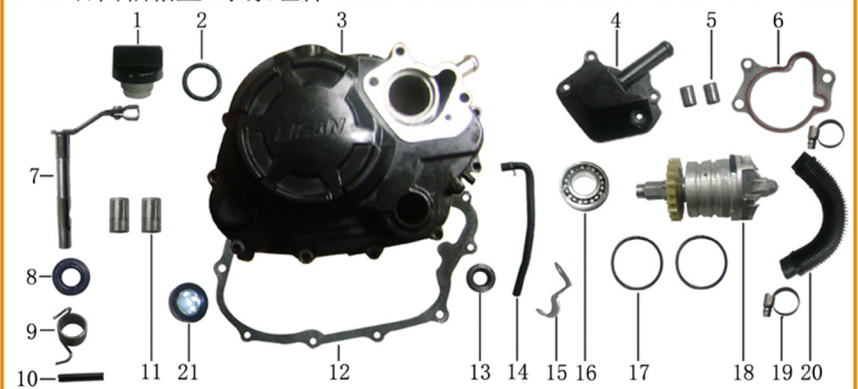
PartNo.	PartCode	Description	U.Price	Unit	Purchase
E02-01	BJX14410A0A00	Rocker arm Assy,	0.00	PC	Purchase
E02-02	BJX14421A0A00	Shaft, rocker arm II	0.00	PC	Purchase
E02-03	BIA14321A0A00	Sprocket, timing driven	0.00	PC	Purchase
E02-04	BJX14413A0A00	Shaft, rocker arm I	0.00	PC	Purchase
E02-05	BJX14662A0A00	Washer, tensioning plate	0.00	PC	Purchase
E02-06	BJX14100A1A00	Camshaft Assy I	0.00	PC	Purchase
E02-07	PGA14752A0A00	Split cone, valve	0.00	PC	Purchase
E02-08	BJX14751A0A00	Seat, spring, upper	0.00	PC	Purchase
E02-09	BJX14755A0Z50	Spring, valve, outer	0.00	PC	Purchase
E02-10	BJX14756A0Z50	Spring, valve, inner	0.00	PC	Purchase
E02-11	PGA14730A0A00	Oil seal, valve stem	0.00	PC	Purchase
E02-12	PGA14753A0A00	Valve Outer Spring Seat	0.00	PC	Purchase
E02-13	BJX14710A0Z04	Valve, intake	0.00	PC	Purchase
E02-14	BJX14720A0Z04	Valve, exhaust	0.00	PC	Purchase
E02-15	BIA14610A0A00	Guiding plate	0.00	PC	Purchase
E02-16	BJX14350A0A00	Chain, timing	0.00	PC	Purchase
E02-17	BJX14650A0A00	Tensioner	0.00	PC	Purchase



Model: 158MJ

Update Time: 2015-3-30 13:29:22

E-03 右曲轴箱盖、水泵组件RIGHT CRANKCASE COVER & WATER PUMP ASSY

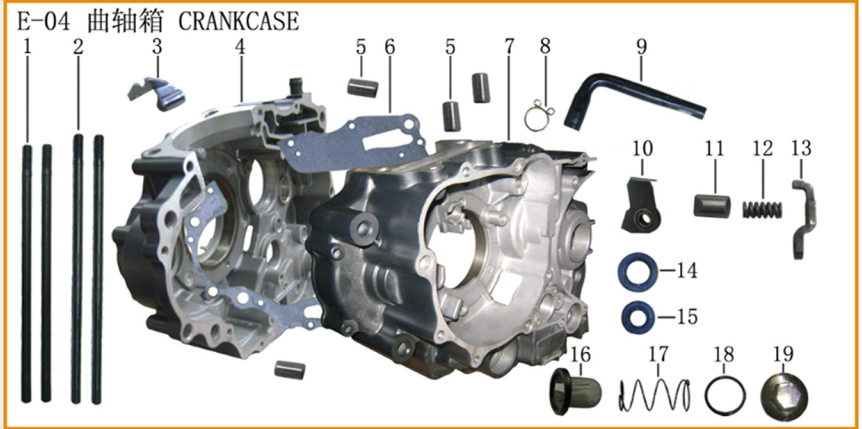


PartNo.	PartCode	Description	U.Price	Unit	Purchase
E03-01	VMA15611A0B01	Dipstick Assy	0.00	PC	Purchase
E03-02	BIA15612A0A00	O-ring	0.00	PC	Purchase
E03-03	BJX11310A1B08	Cover unit, crankcase, RH	0.00	PC	Purchase
E03-04	BJX19252A1B08	Pump Cover	0.00	PC	Purchase
E03-05	BJZ19255A0A00	Dowel PinΦ8×10	0.00	PC	Purchase
E03-06	GLX19254A0A00	Pump Hermetical Circle	0.00	PC	Purchase
E03-07	BIA22810A1M01	Clutch Controlling Rod	0.00	PC	Purchase
E03-08	BIA22840A0A00	Clutch Lever Oil Seal	0.00	PC	Purchase
E03-09	BIA22821A0A00	Clutch Lever Spring	0.00	PC	Purchase
E03-10	BIA22825A0A00	Spring, operating shaft, clutch	0.00	PC	Purchase
E03-11	PGA12218A0A00	Head, cylinder Set Pin (Φ8×14)	0.00	PC	Purchase
E03-12	BJX11319A0A00	Crankcase Cover Gasket,RH	0.00	PC	Purchase
E03-13	GIB13180A0A00	Oil seal, crankshaft, RH	0.00	PC	Purchase
E03-14	XXXXXXXXXXXXXXXX	Overflow Pipe	0.00	PC	Purchase
E03-15	XXXXXXXXXXXXXXXX	Overflow Pipe Clamp	0.00	PC	Purchase
E03-16	Q9656900	Bearing 6900	0.00	PC	Purchase
E03-17	GJX19267A0A00	O-ring (Φ34.5×φ1.8)	0.00	PC	Purchase
E03-18	BJX19200A2A00	Pump Assy	0.00	PC	Purchase
E03-19	Q676B25	Clamp Comp, Water Pipe	0.00	PC	Purchase
E03-20	BJX19610A3A00	Water pipe	0.00	PC	Purchase
E03-21	GIA15620A0A00	Sight Glass	0.00	PC	Purchase



Model: 158MJ

Update Time: 2015-3-30 13:29:22



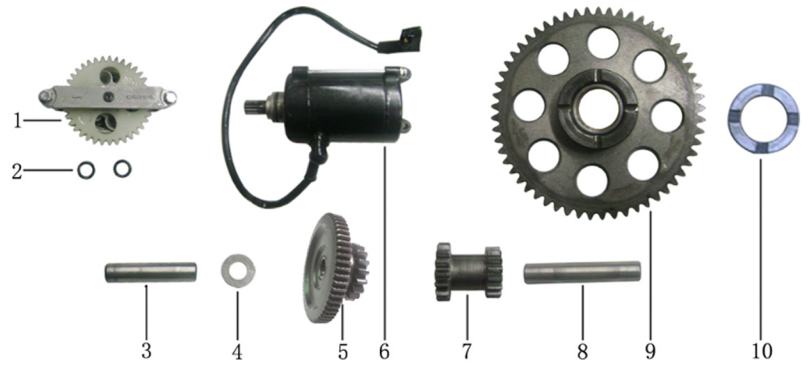
PartNo.	PartCode	Description	U.Price	Unit	Purchase
E04-01	BJX12343A0Z01	Stud B (M8×196.5)	0.00	PC	Purchase
E04-02	BJX12342A0Z01	Stud A (M8×205)	0.00	PC	Purchase
E04-03	BJX22824A0M01	Adjusting support, clutch cable	0.00	PC	Purchase
E04-04	BJX11110A0B08	Crankcase, RH	0.00	PC	Purchase
E04-05	GIA11118A0A00	Dowel pin (Φ10×14)	0.00	PC	Purchase
E04-06	BJX11119A0A00	Gasket, crankcase	0.00	PC	Purchase
E04-07	BJX11210A0B08	Crankcase, LH	0.00	PC	Purchase
E04-08	GIA20153A0N03	Clip, exhaust pipe	0.00	PC	Purchase
E04-09	QJZ20152A1A00	Pipe, exhaust	0.00	PC	Purchase
E04-10	BIA14361A0A00	Timing Chain Limited Plate	0.00	PC	Purchase
E04-11	FJA11232A0A00	Pin-Keeping	0.00	PC	Purchase
E04-12	FJA11233A0Z50	Pin-Keeping Spring	0.00	PC	Purchase
E04-13	FJA11226A0A00	Pin-Keeping Spring Plate	0.00	PC	Purchase
E04-14	GIA23790A1A00	Oil seal, 20×34×7	0.00	PC	Purchase
E04-15	GIA24190A1A00	Oil seal, gearshift shaft	0.00	PC	Purchase
E04-16	BIA15450A0A00	Gauze filter	0.00	PC	Purchase
E04-17	BIA15461A0A00	Spring	0.00	PC	Purchase
E04-18	BIA12246A0A00	O-ring, cover gauze(Φ35×Φ3)	0.00	PC	Purchase
E04-19	BIA15463A0M02	Cover, gauze filter	0.00	PC	Purchase



Model: 158MJ

Update Time: 2015-3-30 13:29:22

E-05 机油泵、起动电机 OIL PUMP & STARTING MOTOR



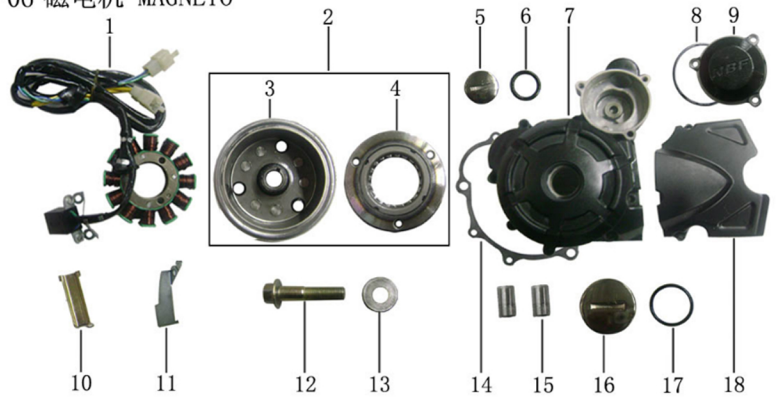
PartNo.	PartCode	Description	U.Price	Unit	Purchase
E05-01	GLA15100A3A00	Oil Pump Assy	0.00	PC	Purchase
E05-02	BIA15131A0A00	O-Ring (φ9.4×φ2.4)	0.00	PC	Purchase
E05-03	BLA28321A0A00	Shaft, dual-gear I	0.00	PC	Purchase
E05-04	BJX28312A0A00	Washer, Dual-gear	0.00	PC	Purchase
E05-05	GLX28311A1A00	Dual-gear comp. I	0.00	PC	Purchase
E05-06	GIA34700C6B08	Starting motor	0.00	PC	Purchase
E05-07	BJX28330A0A00	Dual-gear comp.II	0.00	PC	Purchase
E05-08	BLA28341A0A00	Shaft, dual-gear II	0.00	PC	Purchase
E05-09	BJX28150A0A00	Gear set, starting clutch	0.00	PC	Purchase
E05-10	BJX28172A0A00	Washer, gear, starting clutch	0.00	PC	Purchase



Model: 158MJ

Update Time: 2015-3-30 13:29:22

E-06 磁电机 MAGNETO



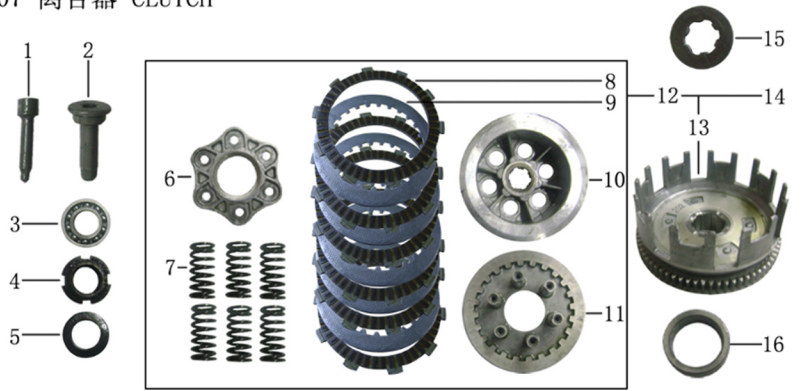
PartNo.	PartCode	Description	U.Price	Unit	Purchase
E06-01	BJX31210A3A00	Stator set, magneto	0.00	PC	Purchase
E06-02	BJX31110A0A00/GLX28110A0A00	Flywheel clutch Assy	0.00	PC	Purchase
E06-03	BJX31110A0A00	Rotor set, magneto	0.00	PC	Purchase
E06-04	GLX28110A0A00	Starting clutch Assy	0.00	PC	Purchase
E06-05	PGB11412A0M02	Plug, watch hole	0.00	PC	Purchase
E06-06	BIA11414A0A00	O-ring, watch hole plug	0.00	PC	Purchase
E06-07	BJX11411A1B08	Cover, crankcase, LH	0.00	PC	Purchase
E06-08	GIA11422A0A00	O-ring, $\Phi 63 \times \Phi 3$	0.00	PC	Purchase
E06-09	BJX11421A0B08	Cover, upper	0.00	PC	Purchase
E06-10	BLA31911A0A00	Clip, magneto wire	0.00	PC	Purchase
E06-11	BIA31213A0A00	Stopper, magneto wiring harness	0.00	PC	Purchase
E06-12	Q1291045F3	Bolt, M10×45	0.00	PC	Purchase
E06-13	BLA31312A0A00	Thrust washer	0.00	PC	Purchase
E06-14	BLA11419A1A00	Gasket, crankcase cover, LH	0.00	PC	Purchase
E06-15	GIA11118A0A00	Dowel pin, crankcase	0.00	PC	Purchase
E06-16	GIA11413A0M02	Cover, LH	0.00	PC	Purchase
E06-17	BIA11415A0A00	O-ring, plug,	0.00	PC	Purchase
E06-18	BJX11451A1B08	Rear cover, LH	0.00	PC	Purchase



Model: 158MJ

Update Time: 2015-3-30 13:29:22

E-07 离合器 CLUTCH



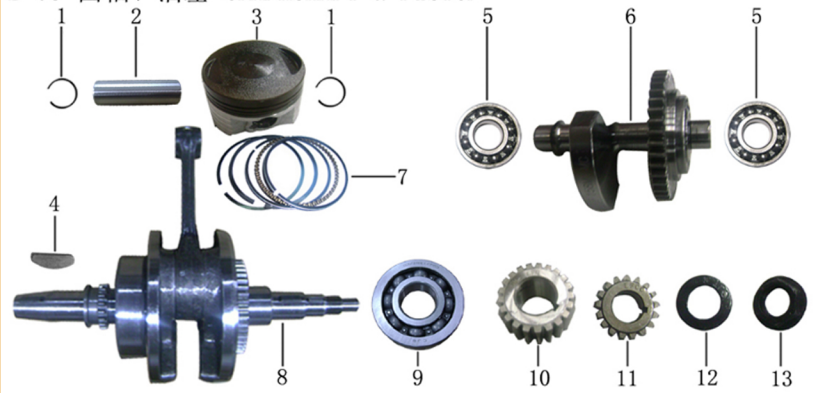
PartNo.	PartCode	Description	U.Price	Unit	Purchase
E07-01	BIA22871A1A00	Clutch Mandrel	0.00	PC	Purchase
E07-02	BIA22861A1A00	Clutch Pusher	0.00	PC	Purchase
E07-03	Q96516003	Bearing, 16003	0.00	PC	Purchase
E07-04	BIA22151A0A00	Lock nut	0.00	PC	Purchase
E07-05	BIA22152A0A00	Thrust washer	0.00	PC	Purchase
E07-06	XXXXXXXXXXXXXX	Plate, clutch lifter	0.00	PC	Purchase
E07-07	XXXXXXXXXXXXXX	Spring, Clutch	0.00	SET	Purchase
E07-08	XXXXXXXXXXXXXX	Disc set, clutch friction	0.00	PC	Purchase
E07-09	XXXXXXXXXXXXXX	Plate, clutch	0.00	PC	Purchase
E07-10	XXXXXXXXXXXXXX	Plate, clutch pressure	0.00	PC	Purchase
E07-11	XXXXXXXXXXXXXX	Center comp., clutch	0.00	PC	Purchase
E07-12	XXXXXXXXXXXXXX	Clutch Assy	0.00	PC	Purchase
E07-13	XXXXXXXXXXXXXX	Outer comp., clutch	0.00	PC	Purchase
E07-14	BJX22100A1A00	Body, clutch	0.00	PC	Purchase
E07-15	GIA22372A0A00	Spline washer	0.00	PC	Purchase
E07-16	GJM22622A0A00	Clutch Bush	0.00	PC	Purchase



Model: 158MJ

Update Time: 2015-3-30 13:29:22

E-08 曲轴、活塞 CRANKSHAFT & PISTON



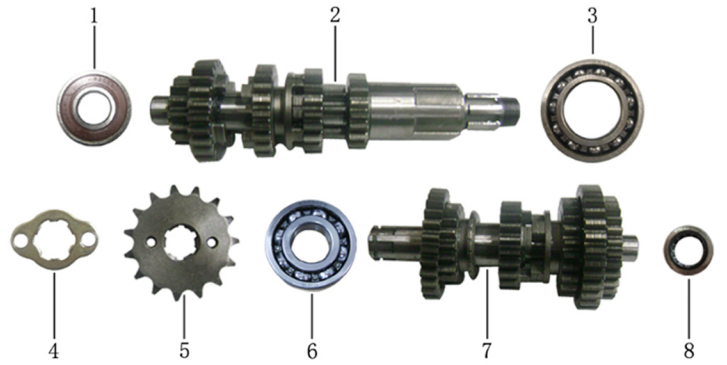
PartNo.	PartCode	Description	U.Price	Unit	Purchase
E08-01	MIA13222A0A00	Circlip, piston pin	0.00	PC	Purchase
E08-02	MIA13221A0A00	Pin, piston	0.00	PC	Purchase
E08-03	BJX13211A0A00	Piston	0.00	PC	Purchase
E08-04	GIA13118A0A00	Key, woodruff	0.00	PC	Purchase
E08-05	Q9656202P6C	Bearing, 6202 (15×35×11)	0.00	PC	Purchase
E08-06	BJX13611A0A00/BJX13641A1A00/BJX13670A0A00	Balanced Shaft Assy	0.00	PC	Purchase
E08-07	BJX13300A0A00	Ring set, piston	0.00	PC	Purchase
E08-08	BJX13100A0A00/BJX13631A1A00	Crankshaft & connecting rod	0.00	PC	Purchase
E08-09	Q9656328C	Bearing, crankshaft, RH	0.00	PC	Purchase
E08-10	BJX22621A2A00	Drive gear (sprocket), primary	0.00	PC	Purchase
E08-11	BJX19281A0A00	Drive gear, water pump	0.00	PC	Purchase
E08-12	PGA22633A0A00	Thrust washer	0.00	PC	Purchase
E08-13	GIA22631A0A00	Lock nut	0.00	PC	Purchase



Model: 158MJ

Update Time: 2015-3-30 13:29:22

E-09 传动装置 TRANSMISSION



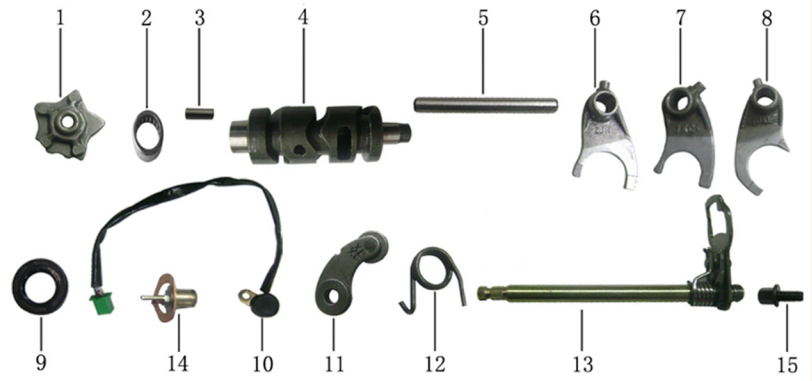
PartNo.	PartCode	Description	U.Price	Unit	Purchase
E09-01	Q965D6202F7	Bearing, 6202 RS	0.00	PC	Purchase
E09-02	BJX23600A1A00	Main shaft Assy	0.00	PC	Purchase
E09-03	Q9656006P6F	Bearing, 6006	0.00	PC	Purchase
E09-04	GIA22712A0N03	Locating plate, sprocket	0.00	PC	Purchase
E09-05	GIA22711B1Z02	Sprocket, output	0.00	PC	Purchase
E09-06	Q9656204P6F	Bearing, 6204	0.00	PC	Purchase
E09-07	BJX23700A0A00	Countershaft Assy	0.00	PC	Purchase
E09-08	Q9611512	Bearing, needle, HK152312	0.00	PC	Purchase



Model: 158MJ

Update Time: 2015-3-30 13:29:22

E-10 变档机构 GEARSHIFT DEVICE



PartNo.	PartCode	Description	U.Price	Unit	Purchase
E10-01	GIA24221A1A00	Cam	0.00	PC	Purchase
E10-02	GIA93840A0A00	Bearing, needle, HKS212810	0.00	PC	Purchase
E10-03	XXXXXXXXXXXXXXX	Set pin, 4×10	0.00	PC	Non-Supply
E10-04	GIA24210A2A00	Drum	0.00	PC	Purchase
E10-05	BIA24421A0A00	Shaft, fork	0.00	PC	Purchase
E10-06	BIA24413A0A00	Fork (III)	0.00	PC	Purchase
E10-07	BIA24412A0A00	Fork (II)	0.00	PC	Purchase
E10-08	GIA24411A1A00	Fork (I)	0.00	PC	Purchase
E10-09	GIA35740A0A00	Oil seal,gear indicator contrac point	0.00	PC	Purchase
E10-10	GIA35730C5A00	Gear Indicating Wire Harness	0.00	PC	Purchase
E10-11	GIA24310A1A00	Limit plate	0.00	PC	Purchase
E10-12	BIA24323A0A00	Spring	0.00	PC	Purchase
E10-13	GLQ24100A1N03	Gearshift shaft Assy	0.00	PC	Purchase
E10-14	GIA35760A0A00	Point comp., gear indicator contact	0.00	PC	Purchase
E10-15	BJX24134A0Z02	Gearshift shaft limiter bolt	0.00	PC	Purchase



Model: 158MJ

Update Time: 2015-3-30 13:29:22

E-11 化油器、变档杆 GEARSHIFT PEDAL & CARBURETOR



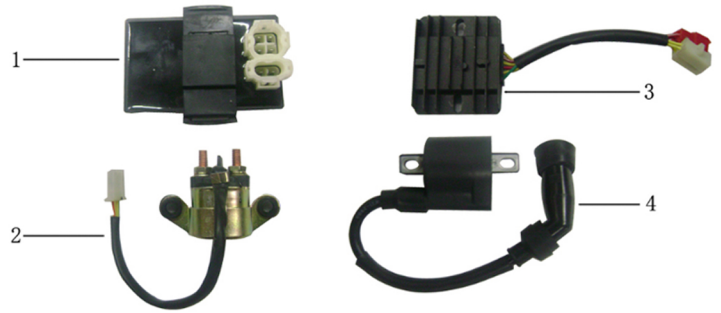
PartNo.	PartCode	Description	U.Price	Unit	Purchase
E11-01	FJA16100C5Z06	Carburetor Assy	0.00	PC	Purchase
E11-02	PHY17318A0A00	Inlet Pipe Insulator O-Ring	0.00	PC	Purchase
E11-03	PHY17331A0A00	Inlet Pipe Insulator	0.00	PC	Purchase
E11-04	QJZ24700A0M01	Gearshift pedal Assy	0.00	PC	Purchase



Model: 158MJ

Update Time: 2015-3-30 13:29:22

E-12 电器 ELECTRIC ELEMENTS



PartNo.	PartCode	Description	U.Price	Unit	Purchase
E12-01	BJX34400A0A00	Ignition Controller	0.00	PC	Purchase
E12-02	GIA34600A0A00	Start Relay	0.00	PC	Purchase
E12-03	GIX31600A0A00	Voltage Regulator	0.00	PC	Purchase
E12-04	BJX34500A0A00	Ignition Coil	0.00	PC	Purchase