



Model: LF125T-15 Update Time: 2014-4-15 16:37:26

### F-01 方向把 STEERING BAR



PartNo.	PartCode	Description	U.Price	Unit	Purchase
F01-01	47110	Steering bar	0.00	PC	<a href="#">Purchase</a>
F01-02	57200	Rearview Mirror,LH	0.00	PC	<a href="#">Purchase</a>
F01-03	57100	Rearview Mirror,RH	0.00	PC	<a href="#">Purchase</a>
F01-04	46930	Throttle Cable Seat	0.00	PC	<a href="#">Purchase</a>
F01-05	47300	Throttle Grip Comp.	0.00	PC	<a href="#">Purchase</a>
F01-06	47371	Steering Bar Balance Weight	0.00	PC	<a href="#">Purchase</a>
F01-07	47411	Grip Comp.,LH	0.00	PC	<a href="#">Purchase</a>
F01-08	47650	Rear Brake Lever Comp.	0.00	PC	<a href="#">Purchase</a>
F01-09	47187	Clamp,Steering Bar Pipe	0.00	PC	<a href="#">Purchase</a>



F-02 开关 护罩 SWITCH & CASE



Model: LF125T-15 Update Time: 2014-4-15 16:37:26

PartNo.	PartCode	Description	U.Price	Unit	Purchase
F02-01	35350	Horn Switch	0.00	PC	<a href="#">Purchase</a>
F02-02	35240	Winker Switch	0.00	PC	<a href="#">Purchase</a>
F02-03	35230	Dimmer Switch	0.00	PC	<a href="#">Purchase</a>
F02-04	35140	Starter Button	0.00	PC	<a href="#">Purchase</a>
F02-05	35130	Switch,Lighting	0.00	PC	<a href="#">Purchase</a>
F02-06	43131	Meter Case	0.00	PC	<a href="#">Purchase</a>
F02-07	43136	Ornament, Meter Case	0.00	PC	<a href="#">Purchase</a>
F02-08	43151	Front Fairing	0.00	PC	<a href="#">Purchase</a>





Model: LF125T-15 Update Time: 2014-4-15 16:37:26

F-03 仪表 拉索 METER & CABLE



PartNo.	PartCode	Description	U.Price	Unit	Purchase
F03-01	37000	Meter Assy	0.00	PC	<a href="#">Purchase</a>
F03-02	33100	Headlight Assy	0.00	PC	<a href="#">Purchase</a>
F03-03	46300	Throttle Cable	0.00	PC	<a href="#">Purchase</a>
F03-04	46700	Odometer Cable Comp.	0.00	PC	<a href="#">Purchase</a>
F03-05	46410	Rear Brake Cable	0.00	PC	<a href="#">Purchase</a>
F03-06	46530	Seat Lock Cable	0.00	PC	<a href="#">Purchase</a>



F-04 挡风板 WINDSHIELD



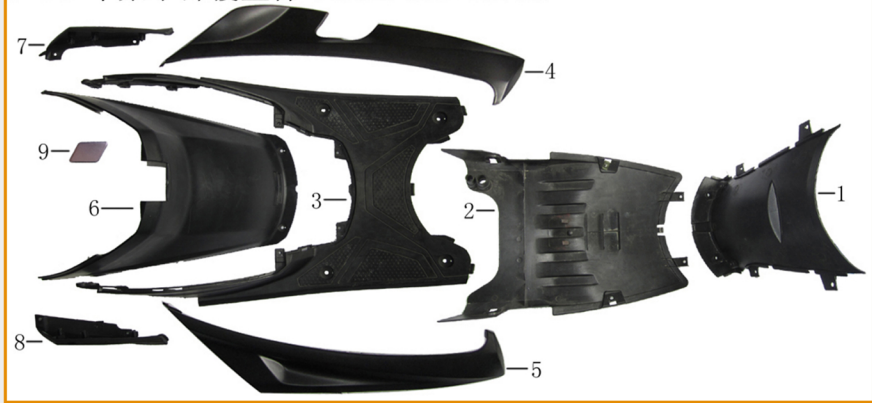
Model: LF125T-15      Update Time: 2014-4-15 16:37:26

PartNo.	PartCode	Description	U.Price	Unit	Purchase
F04-01	43873	Windshield Connecting Plate, LH	0.00	PC	<a href="#">Purchase</a>
F04-02	43216	Windshield Connecting Plate, RH	0.00	PC	<a href="#">Purchase</a>
F04-03	43221	Windshield,LH	0.00	PC	<a href="#">Purchase</a>
F04-04	43211	Windshield,RH	0.00	PC	<a href="#">Purchase</a>
F04-05	43225	Ornament, Windshield, LH	0.00	PC	<a href="#">Purchase</a>
F04-06	43215	Ornament, Windshield, RH	0.00	PC	<a href="#">Purchase</a>
F04-07	43651	Front Trunk	0.00	PC	<a href="#">Purchase</a>
F04-08	43656	Front Trunk Cover, LH	0.00	PC	<a href="#">Purchase</a>
F04-09	43653	Front Trunk Cover, RH	0.00	PC	<a href="#">Purchase</a>
F04-10	35955	Rubber, Ignition Switch	0.00	PC	<a href="#">Purchase</a>
F04-11	43251	Front Cover	0.00	PC	<a href="#">Purchase</a>
F04-12	96921	Helmet Hook	0.00	PC	<a href="#">Purchase</a>
F04-13	43654	VIN Cover Plate	0.00	PC	<a href="#">Purchase</a>



Model: LF125T-15      Update Time: 2014-4-15 16:37:26

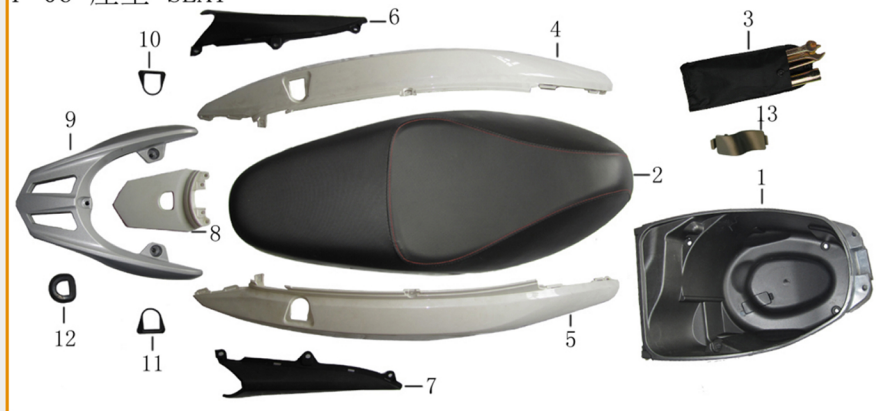
F-05 车架中部覆盖件 FRAME MID COVER



PartNo.	PartCode	Description	U.Price	Unit	Purchase
F05-01	53211	Front Fender Rear Body	0.00	PC	<a href="#">Purchase</a>
F05-02	43333	Bottom Guard	0.00	PC	<a href="#">Purchase</a>
F05-03	42381	Rider Treadle	0.00	PC	<a href="#">Purchase</a>
F05-04	43361	Left Guard	0.00	PC	<a href="#">Purchase</a>
F05-05	43461	Right Guard	0.00	PC	<a href="#">Purchase</a>
F05-06	43663	Front Hood, Rear Luggage	0.00	PC	<a href="#">Purchase</a>
F05-07	42623	Connecting Plate,Rear Footrest,LH	0.00	PC	<a href="#">Purchase</a>
F05-08	42523	Connecting Plate,Rear Footrest,RH	0.00	PC	<a href="#">Purchase</a>
F05-09	43598	Small Lid	0.00	PC	<a href="#">Purchase</a>



F-06 座墊 SEAT



Model: LF125T-15 Update Time: 2014-4-15 16:37:26

PartNo.	PartCode	Description	U.Price	Unit	Purchase
F06-01	43661	Rear Luggage	0.00	PC	<a href="#">Purchase</a>
F06-02	44100	Seat Assy	0.00	PC	<a href="#">Purchase</a>
F06-03	96100	Tool Kit	0.00	SET	<a href="#">Purchase</a>
F06-04	43721	Left Rear Panel	0.00	PC	<a href="#">Purchase</a>
F06-05	43711	Right Rear Panel	0.00	PC	<a href="#">Purchase</a>
F06-06	43472	Left Guard, Rear Panel	0.00	PC	<a href="#">Purchase</a>
F06-07	43372	Right Guard, Rear Panel	0.00	PC	<a href="#">Purchase</a>
F06-08	43751	Rear-Mid Connecting Plate	0.00	PC	<a href="#">Purchase</a>
F06-09	45511	Rear Handrail	0.00	PC	<a href="#">Purchase</a>
F06-10	45516	Rubber, Rear Handrail, LH	0.00	PC	<a href="#">Purchase</a>
F06-11	45517	Rubber, Rear Handrail, RH	0.00	PC	<a href="#">Purchase</a>
F06-12	45512	Rubber, Rear Handrail, RR	0.00	PC	<a href="#">Purchase</a>
F06-13	43684	Cover, idle adjustment	0.00	PC	<a href="#">Purchase</a>



Model: LF125T-15 Update Time: 2014-4-15 16:37:26

F-07 前叉 FRONT FORK

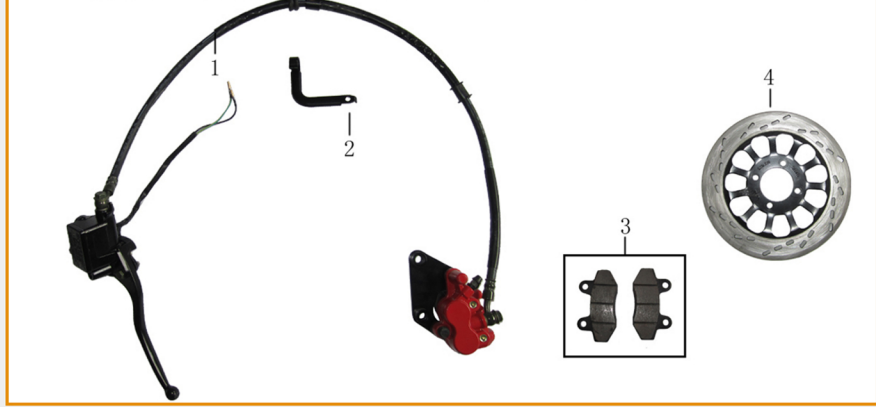


PartNo.	PartCode	Description	U.Price	Unit	Purchase
F07-01	53111	Front Fender	0.00	PC	<a href="#">Purchase</a>
F07-02	17174	Cable Bush	0.00	PC	<a href="#">Purchase</a>
F07-03	62100	Rear Shock Absorber Assy	0.00	PC	<a href="#">Purchase</a>
F07-04	52500	Front Shock Absorber,LH	0.00	PC	<a href="#">Purchase</a>
F07-05	52400	Front Shock Absorber,RH	0.00	PC	<a href="#">Purchase</a>
F07-06	51210	Steering Stem Assy	0.00	PC	<a href="#">Purchase</a>
F07-07	51950	Steering Stem Bearing Set	0.00	SET	<a href="#">Purchase</a>



Model: LF125T-15 Update Time: 2014-4-15 16:37:26

F-08 前液压制动器 FRONT HYDRAULIC BRAKE ASSY



PartNo.	PartCode	Description	U.Price	Unit	Purchase
F08-01	56000	Front Hydraulic Brake Assy	0.00	PC	<a href="#">Purchase</a>
F08-02	56761	Front Brake Hose Stay	0.00	PC	<a href="#">Purchase</a>
F08-03	56521	Front Brake Pad	0.00	SET	<a href="#">Purchase</a>
F08-04	56311	Front Brake Disc	0.00	PC	<a href="#">Purchase</a>





Model: LF125T-15 Update Time: 2014-4-15 16:37:26

F-09 前轮 FRONT WHEEL



PartNo.	PartCode	Description	U.Price	Unit	Purchase
F09-01	54700	Tyre, Front wheel	0.00	PC	<a href="#">Purchase</a>
F09-02	54100	Front Wheel Hub Comp.	0.00	PC	<a href="#">Purchase</a>
F09-03	54913	Front Wheel Left Bush	0.00	PC	<a href="#">Purchase</a>
F09-04	54911	Front Axle	0.00	PC	<a href="#">Purchase</a>
F09-05	55500	Speedometer Gear Box	0.00	PC	<a href="#">Purchase</a>
F09-06	64920	Tube Valve	0.00	PC	<a href="#">Purchase</a>





Model: LF125T-15 Update Time: 2014-4-15 16:37:26

F-10 后轮 REAR WHEEL



PartNo.	PartCode	Description	U.Price	Unit	Purchase
F10-01	64700	Rear Tyre	0.00	PC	<a href="#">Purchase</a>
F10-02	64210	Rear Wheel Hub Comp.	0.00	PC	<a href="#">Purchase</a>
F10-03	54220	Rear Brake Shoe	0.00	SET	<a href="#">Purchase</a>
F10-04	64920	Tube Valve	0.00	PC	<a href="#">Purchase</a>



Model: LF125T-15 Update Time: 2014-4-15 16:37:26

F-11 油箱 FUEL TANK ASSY

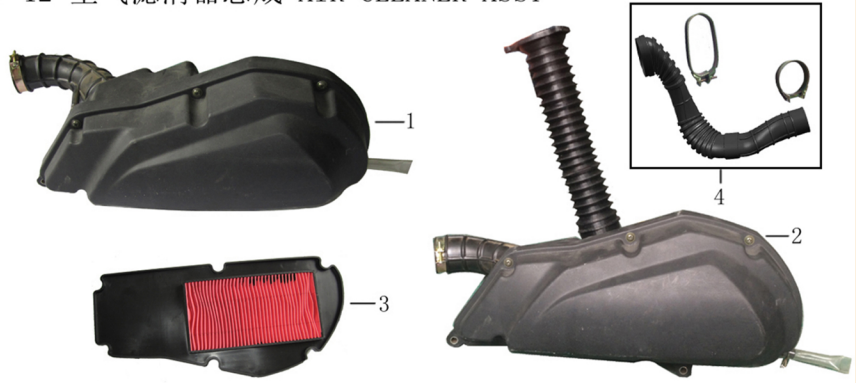


PartNo.	PartCode	Description	U.Price	Unit	Purchase
F11-01	16620	Fuel Tank Weldment	0.00	PC	<a href="#">Purchase</a>
F11-02	37810	Fuel Sensor	0.00	PC	<a href="#">Purchase</a>
F11-03	16620	Fuel Tank Weldment (High Intake condition)	0.00	PC	<a href="#">Purchase</a>
F11-04	16620	Fuel Sensor (High Intake condition)	0.00	PC	<a href="#">Purchase</a>
F11-05	16500	Fuel Filler Cover Set	0.00	PC	<a href="#">Purchase</a>
F11-06	16870	Fuel Filter Comp.	0.00	PC	<a href="#">Purchase</a>
F11-07	16831	Hose	0.00	PC	<a href="#">Purchase</a>
F11-08	16855	Vacuum Pipe	0.00	PC	<a href="#">Purchase</a>
F11-09	16834	HoseII	0.00	PC	<a href="#">Purchase</a>
F11-10	16800	Vacuum Switch	0.00	PC	<a href="#">Purchase</a>
F11-11	16800	Vacuum Switch (High Intake condition)	0.00	PC	<a href="#">Purchase</a>
F11-12		Fuel Filler Cover Hood	0.00	PC	<a href="#">Purchase</a>
F11-13		Fuel Filler Cover Hood (High Intake condition)	0.00	PC	<a href="#">Purchase</a>



Model: LF125T-15      Update Time: 2014-4-15 16:37:26

F-12 空气滤清器总成 AIR CLEANER ASSY

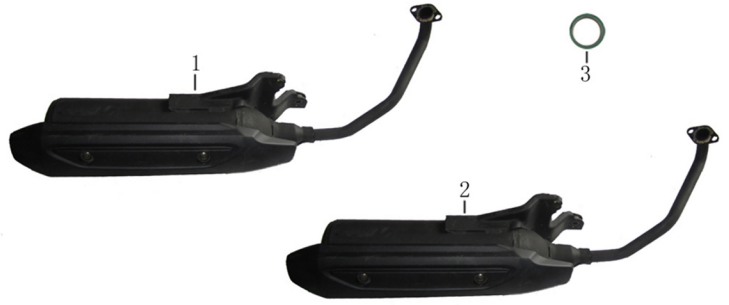


PartNo.	PartCode	Description	U.Price	Unit	Purchase
F12-01	17100	Air Cleaner Assy	0.00	PC	<a href="#">Purchase</a>
F12-02	17100	Air Cleaner Assy (High Intake condition)	0.00	PC	<a href="#">Purchase</a>
F12-03	17120	Air Cleaner Element	0.00	PC	<a href="#">Purchase</a>
F12-04	XXXXXX	vent pipe, Engine	0.00	PC	<a href="#">Purchase</a>



Model: LF125T-15 Update Time: 2014-4-15 16:37:26

F-13 消声器总成 EXHAUST MUFFLER ASSY



PartNo.	PartCode	Description	U.Price	Unit	Purchase
F13-01	18000	Exhaust Muffler Assy (GY6)	0.00	PC	<a href="#">Purchase</a>
F13-02	18000	Exhaust Muffler Assy (GY7)	0.00	PC	<a href="#">Purchase</a>
F13-03	18920	Exhaust Muffler Gasket	0.00	PC	<a href="#">Purchase</a>



Model: LF125T-15 Update Time: 2014-4-15 16:37:26

F-14 后挡泥板 REAR FENDER



PartNo.	PartCode	Description	U.Price	Unit	Purchase
F14-01	33700	Taillight Assy	0.00	PC	<a href="#">Purchase</a>
F14-02	33760	Rear License Plate Light	0.00	PC	<a href="#">Purchase</a>
F14-03	63151	Rear Fender Rear Body	0.00	PC	<a href="#">Purchase</a>
F14-04	33820	Rear Reflector	0.00	PC	<a href="#">Purchase</a>
F14-05	63111	Rear Fender Front Body	0.00	PC	<a href="#">Purchase</a>
F14-06	63111	Rear Fender Front Body (High Intake condition)	0.00	PC	<a href="#">Purchase</a>
F14-07	XXXXXX	Protective Rubber (High Intake condition)	0.00	PC	<a href="#">Purchase</a>
F14-08	43549	Cover, Fuel Tank	0.00	PC	<a href="#">Purchase</a>
F14-09		Rear Waterproof	0.00	PC	<a href="#">Purchase</a>



Model: LF125T-15 Update Time: 2014-4-15 16:37:26

F-15 主、侧支架 CENTER & SIDE STAND



PartNo.	PartCode	Description	U.Price	Unit	Purchase
F15-01	42700	Engine Suspension Comp.	0.00	PC	<a href="#">Purchase</a>
F15-02	42100	Center Stand Comp.	0.00	PC	<a href="#">Purchase</a>
F15-03	42210	Side Stand Comp.	0.00	PC	<a href="#">Purchase</a>
F15-04	42922	Spring,Side Stand	0.00	PC	<a href="#">Purchase</a>
F15-05	42913	Spring,Center Stand	0.00	PC	<a href="#">Purchase</a>
F15-06	42191	Rubber,Center Stand	0.00	PC	<a href="#">Purchase</a>
F15-07	XXXXXX	Engine suspension cushion	0.00	PC	<a href="#">Purchase</a>
F15-08	42971	Axle Of Engine	0.00	PC	<a href="#">Purchase</a>
F15-09		Dust Cover	0.00	PC	<a href="#">Purchase</a>





F-16 电器件 ELECTRIC ELEMENT



Model: LF125T-15    Update Time: 2014-4-15 16:37:26

PartNo.	PartCode	Description	U.Price	Unit	Purchase
F16-01	32100	Main Cable	0.00	PC	<a href="#">Purchase</a>
F16-02	32200	Secondary Cable	0.00	PC	<a href="#">Purchase</a>
F16-03	31500	Battery	0.00	PC	<a href="#">Purchase</a>
F16-04	38210	Flashing Relay	0.00	PC	<a href="#">Purchase</a>
F16-05	38210	Horn	0.00	PC	<a href="#">Purchase</a>
F16-06	35360	Side Stand Switch	0.00	PC	<a href="#">Purchase</a>



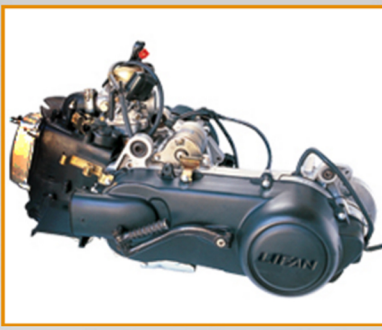


Model: LF125T-15      Update Time: 2014-4-15 16:37:26

F-17 车架 FRAME

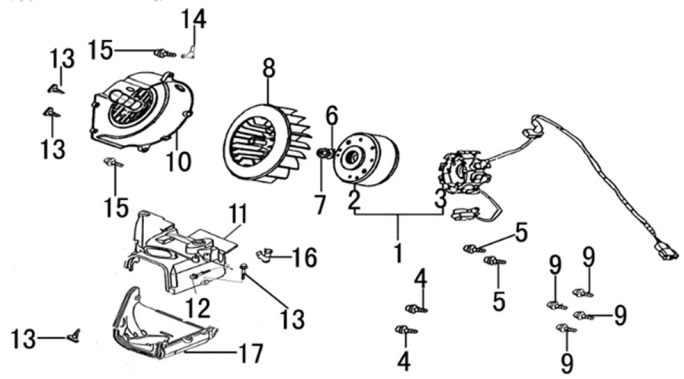


PartNo.	PartCode	Description	U.Price	Unit	Purchase
F17-01	41100	Frame Weldment	0.00	PC	<a href="#">Purchase</a>
F17-02	35400	Ignition Switch	0.00	SET	<a href="#">Purchase</a>
F17-03	43661	Battery Case	0.00	PC	<a href="#">Purchase</a>
F17-04	31820	Battery Stay Comp.,	0.00	PC	<a href="#">Purchase</a>
F17-05	43817	Rubber	0.00	PC	<a href="#">Purchase</a>
F17-06	31851	Press Plate, Battery	0.00	PC	<a href="#">Purchase</a>
F17-07	42510	Passenger Footrest Comp.,RH	0.00	PC	<a href="#">Purchase</a>
F17-08	42610	Passenger Footrest Comp.,LH	0.00	PC	<a href="#">Purchase</a>
F17-09	48340	Seat Lock Set	0.00	PC	<a href="#">Purchase</a>
F17-10	16990	Fuel Tank Rear Plate Comp.	0.00	PC	<a href="#">Purchase</a>

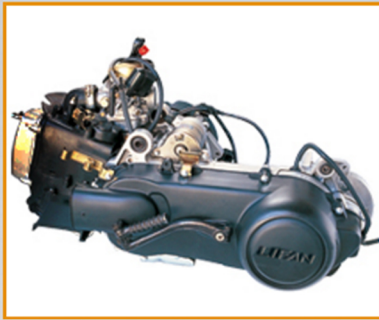


Model: 1P52QMI Update Time: 2010-7-7 10:07:38

E-1 风扇盖 磁电机 FAN COVER & MAGNETO

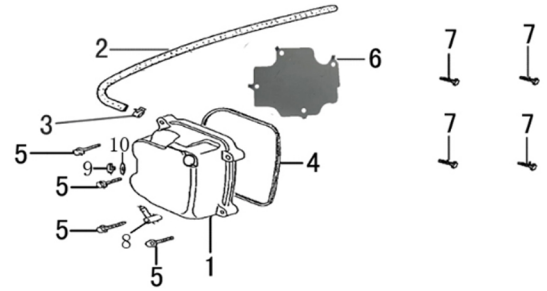


PartNo.	PartCode	Description	U.Price	Unit	Purchase
E1-1	17B1031100	Magneto Assy	0.00	SET	<a href="#">Purchase</a>
E1-2	17B1031110	Magneto Rotor Comp.	0.00	PC	<a href="#">Purchase</a>
E1-3	17B1031210	Magneto Stator Comp.	0.00	PC	<a href="#">Purchase</a>
E1-4	GB/T5786	Bolt M6x25	0.00	PC	Non-Supply
E1-5	GB/T5781	Bolt M5x12	0.00	PC	Non-Supply
E1-6	GB/T97.1	Washer 12	0.00	PC	Non-Supply
E1-7	GB/T6177.1	Nut M12x1.25	0.00	PC	<a href="#">Purchase</a>
E1-8	17B1019810	Fan Impeller	0.00	PC	<a href="#">Purchase</a>
E1-9	GB/T16674	Bolt M6x18	0.00	PC	Non-Supply
E1-10	17B1019710	Cooling Fan Cover	0.00	PC	<a href="#">Purchase</a>
E1-11	17B1019730	Air-Flow Guard B	0.00	PC	<a href="#">Purchase</a>
E1-12	GB/T16674	Bolt M6x25	0.00	PC	Non-Supply
E1-13	GB/T9456	Screw ST4.8x16	0.00	PC	Non-Supply
E1-14	17B1034951	Starter Motor Wire Clamper	0.00	PC	<a href="#">Purchase</a>
E1-15	GB/T16674	Bolt M6x25	0.00	PC	Non-Supply
E1-16	17B1019742	Overflow Pipe Clamp	0.00	PC	Non-Supply
E1-17	17B1019720	Air-Flow Guard A	0.00	PC	<a href="#">Purchase</a>

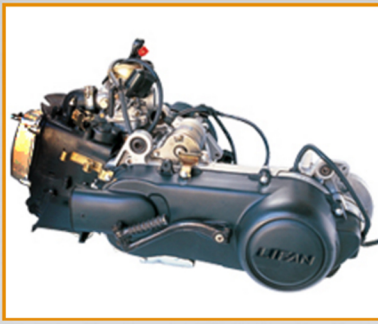


Model: 1P52QMI Update Time: 2010-7-7 10:07:38

E-2 气缸头盖 CYLINDER HEAD COVER

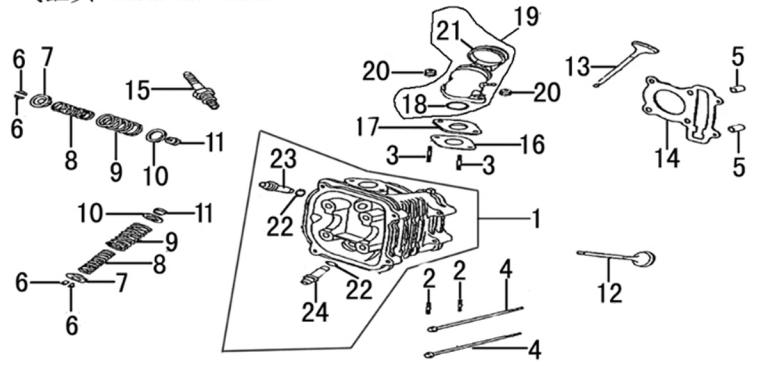


PartNo.	PartCode	Description	U.Price	Unit	Purchase
E2-1	17B1012310	Cylinder Head Cover	0.00	PC	<a href="#">Purchase</a>
E2-2	17B1020162	Waste Pipe	0.00	PC	Non-Supply
E2-3	17B1020163	Waste Pipe Clip φ8	0.00	PC	Non-Supply
E2-4	17B1012312	Cylinder Head Cover Gasket	0.00	PC	<a href="#">Purchase</a>
E2-5	GB/T16674	Bolt M6x25	0.00	PC	Non-Supply
E2-6	17B1012353	Plate	0.00	PC	<a href="#">Purchase</a>
E2-7	GB/T845	Screw M4×8	0.00	PC	Non-Supply
E2-8	17B1020160	Exhaust Nipple	0.00	PC	<a href="#">Purchase</a>
E2-9	17B1015285	Washer 6.5	0.00	PC	Non-Supply
E2-10	GB/T16674	Bolt M6x12	0.00	PC	Non-Supply

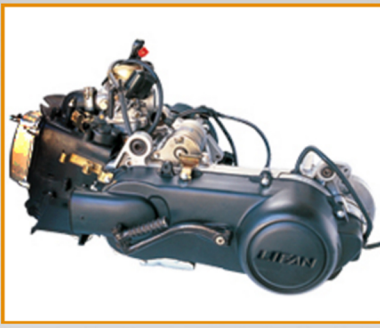


Model: 1P52QMI Update Time: 2010-7-7 10:07:38

### E-3 气缸头 CYLINDER HEAD

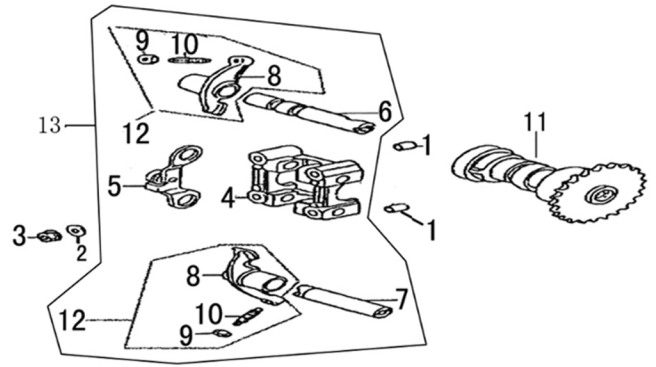


PartNo.	PartCode	Description	U.Price	Unit	Purchase
E3-1	17B1012210	Cylinder Head	0.00	PC	<a href="#">Purchase</a>
E3-2	GB/T899	Stud M6x32	0.00	PC	Non-Supply
E3-3	GB/T899	Stud M6x62	0.00	PC	Non-Supply
E3-4	GB/T16674	Bolt M6x100	0.00	PC	Non-Supply
E3-5	17B1012118	Dowel Pin 10×14	0.00	PC	<a href="#">Purchase</a>
E3-6	17B1014752	Valve Split Cone	0.00	PC	<a href="#">Purchase</a>
E3-7	17B1014751	Valve Spring Upper Seat	0.00	PC	<a href="#">Purchase</a>
E3-8	17B1014756	Valve Inner Spring	0.00	PC	<a href="#">Purchase</a>
E3-9	17B1014755	Valve Outer Spring	0.00	PC	<a href="#">Purchase</a>
E3-10	17B1014753	Valve Lower Seat	0.00	PC	<a href="#">Purchase</a>
E3-11	17B1014730	Valve Stem Oil Seal	0.00	PC	<a href="#">Purchase</a>
E3-12	17B1014720	Exhaust Valve	0.00	PC	<a href="#">Purchase</a>
E3-13	17B1014710	Inlet Valve	0.00	PC	<a href="#">Purchase</a>
E3-14	17B1012221	Gasket for Cylinder Head	0.00	PC	<a href="#">Purchase</a>
E3-15	17B1034210	Spark Plug A7RTC	0.00	PC	<a href="#">Purchase</a>
E3-16	17B1017332	Inlet Pipe Casket	0.00	PC	<a href="#">Purchase</a>
E3-17	17B1017331	Isolating Mat	0.00	PC	<a href="#">Purchase</a>
E3-18	17B1017321	O-Ring 28×2.5	0.00	PC	Non-Supply
E3-19	17B1017310	Inlet Pipe Set	0.00	SET	<a href="#">Purchase</a>
E3-20	GB/T6177.1	Nut M6	0.00	PC	Non-Supply
E3-21	17B1017340	Inlet Pipe Clip	0.00	PC	Non-Supply
E3-22	17B1012216	Guide O-Ring	0.00	PC	Non-Supply
E3-23	17B1012214	Inlet Valve Guide	0.00	PC	Non-Supply
E3-24	17B1012215	Exhaust Valve Guide	0.00	PC	Non-Supply



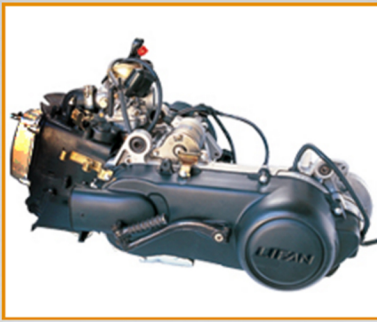
Model: IP52QMI Update Time: 2010-7-7 10:07:38

E-4 凸轮 摇臂 DRUM & ROCKET ARMY



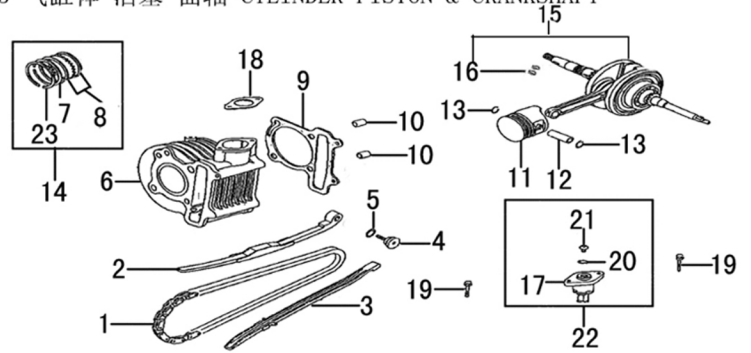
PartNo.	PartCode	Description	U.Price	Unit	Purchase
E4-1	17B1012118	Cylinder Block Dowel Pin 10×14	0.00	PC	<a href="#">Purchase</a>
E4-2	GB/T96	Washer 8	0.00	PC	Non-Supply
E4-3	GB/T6177.1	Nut M8	0.00	PC	Non-Supply
E4-4	17B1014414	Rocker Arm Base	0.00	PC	<a href="#">Purchase</a>
E4-5	17B1014150	Caging Plate	0.00	PC	<a href="#">Purchase</a>
E4-6	17B1014420	Rocker Arm Shaft Set	0.00	PC	<a href="#">Purchase</a>
E4-7	17B1014413	Rocker Arm Shaft	0.00	PC	<a href="#">Purchase</a>
E4-8	17B1014411	Valve Rocker Arm	0.00	PC	Non-Supply
E4-9	17B1014416	Valve Clearance Adjusting Nut	0.00	PC	Non-Supply
E4-10	17B1014415	Valve Clearance Adjusting Screw	0.00	PC	Non-Supply
E4-11	17B1014100	Camshaft Assy	0.00	PC	<a href="#">Purchase</a>
E4-12	17B1014410	Rocker Arm Assy	0.00	PC	<a href="#">Purchase</a>
E4-13	17B10xxxxx	Camshaft Fix Assy	0.00	SET	<a href="#">Purchase</a>



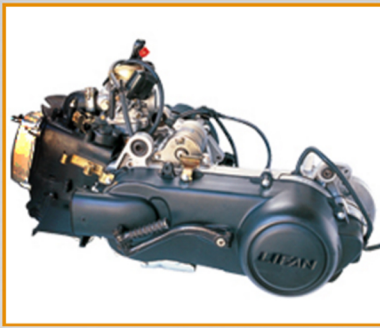


Model: 1P52QMI Update Time: 2010-7-7 10:07:38

E-5 气缸体 活塞 曲轴 CYLINDER PISTON & CRANKSHAFT

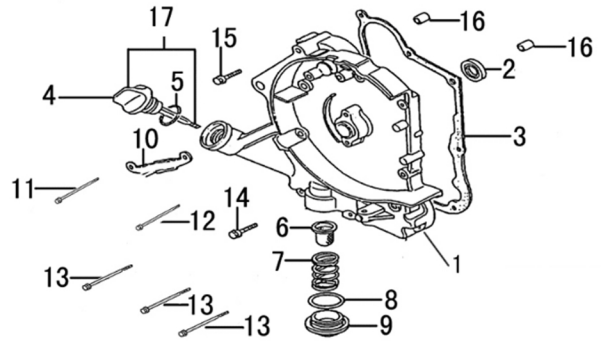


PartNo.	PartCode	Description	U.Price	Unit	Purchase
E5-1	17B1014350	Timing Chain	0.00	PC	<a href="#">Purchase</a>
E5-2	17B1014650	Tensioning Plate	0.00	PC	<a href="#">Purchase</a>
E5-3	17B1014610	Guide Plate	0.00	PC	<a href="#">Purchase</a>
E5-4	17B1014661	Tensioning Plate Screw	0.00	PC	<a href="#">Purchase</a>
E5-5	17B1014663	O-Ring 15.2x1.5	0.00	PC	<a href="#">Purchase</a>
E5-6	17B1012110	Cylinder Block Comp.	0.00	PC	<a href="#">Purchase</a>
E5-7	17B1013312	Piston Ring II	0.00	PC	Non-Supply
E5-8	17B1013320	3-piece Oil Ring	0.00	PC	Non-Supply
E5-9	17B1012121	Cylinder Block Gasket	0.00	PC	<a href="#">Purchase</a>
E5-10	17B1012118	Cylinder Block Dowel Pin 10×14	0.00	PC	<a href="#">Purchase</a>
E5-11	17B1013211	Piston	0.00	PC	<a href="#">Purchase</a>
E5-12	17B1013221	Piston Pin	0.00	PC	<a href="#">Purchase</a>
E5-13	17B1013222	Piston Pin Circlip	0.00	PC	<a href="#">Purchase</a>
E5-14	17B1013300	Piston Ring Set	0.00	SET	<a href="#">Purchase</a>
E5-15	17B1013100	Crankshaft and Connecting Rod	0.00	PC	<a href="#">Purchase</a>
E5-16	17B1013118	Woodruff Key 25x14x4	0.00	PC	Non-Supply
E5-17	17B1014510	Tensioner	0.00	PC	Non-Supply
E5-18	17B1014519	Tensioner Gasket	0.00	PC	<a href="#">Purchase</a>
E5-19	GB/T16674	Bolt M6x22	0.00	PC	Non-Supply
E5-20	17B1014528	O-Ring 1.5x9.5	0.00	PC	<a href="#">Purchase</a>
E5-21	17B1014527	Screw M6x6	0.00	PC	Non-Supply
E5-22	17B1014500	Tensioner Assy	0.00	PC	<a href="#">Purchase</a>
E5-23	17B1013311	Piston Ring I	0.00	PC	Non-Supply



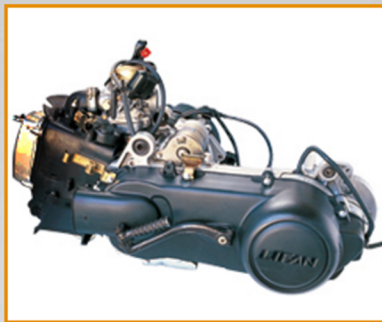
Model: 1P52QMI Update Time: 2010-7-7 10:07:38

E-6 右曲轴箱盖 RIGHT CRANKCASE COVER



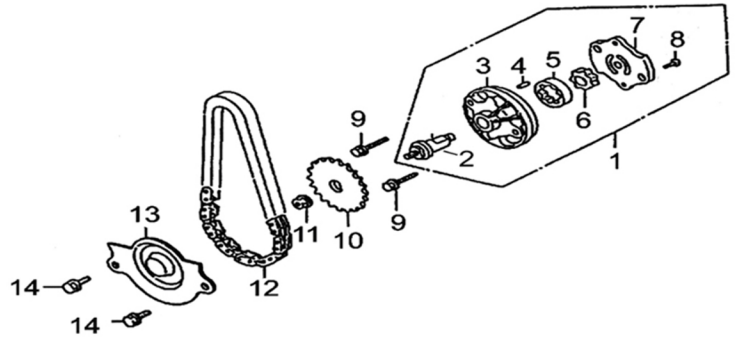
PartNo.	PartCode	Description	U.Price	Unit	Purchase
E6-1	17B1011311	Crankcase Cover, RH	0.00	PC	<a href="#">Purchase</a>
E6-2	17B1013180	Crankshaft Oil Seal,RH 9.8x30x5	0.00	PC	<a href="#">Purchase</a>
E6-3	17B1011319	Crankcase Cover Gasket, RH	0.00	PC	<a href="#">Purchase</a>
E6-4	17B1015611	Dipstick	0.00	PC	<a href="#">Purchase</a>
E6-5	17B1015612	O-Ring	0.00	PC	<a href="#">Purchase</a>
E6-6	17B1015450	Oil Filter Screen	0.00	PC	<a href="#">Purchase</a>
E6-7	17B1015461	Oil Filter Screen Spring	0.00	PC	<a href="#">Purchase</a>
E6-8	17B1015462	Oil Filter Screen Cover O-Ring	0.00	PC	<a href="#">Purchase</a>
E6-9	17B1015463	Oil Filter Screen Cover	0.00	PC	<a href="#">Purchase</a>
E6-10	17B1031911	Magneto Wire Clamper	0.00	PC	<a href="#">Purchase</a>
E6-11	GB/T16674	Bolt M6x110	0.00	PC	Non-Supply
E6-12	GB/T16674	Bolt M6x100	0.00	PC	Non-Supply
E6-13	GB/T16674	Bolt M6x95	0.00	PC	Non-Supply
E6-14	GB/T16674	Bolt M6x28	0.00	PC	Non-Supply
E6-15	GB/T16674	Bolt M6x32	0.00	PC	Non-Supply
E6-16	17B1011318	Dowel Pin 8x14	0.00	PC	<a href="#">Purchase</a>
E6-17	17B1015610	Dipstick	0.00	PC	Non-Supply



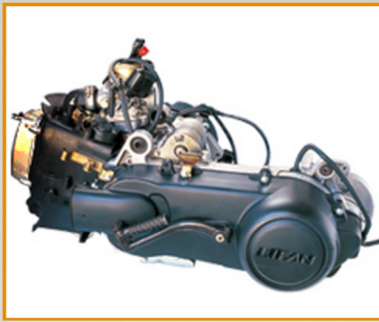


Model: 1P52QMI Update Time: 2010-7-7 10:07:38

E-7 机油泵 OIL PUMP

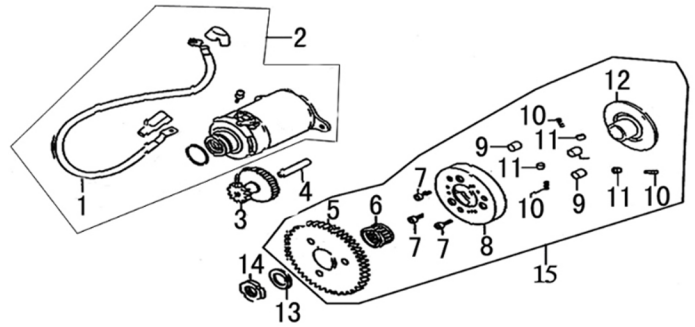


PartNo.	PartCode	Description	U.Price	Unit	Purchase
E7-1	17B1015100	Oil Pump Assy	0.00	PC	<a href="#">Purchase</a>
E7-2	17B1015116	Oil Pump Shaft	0.00	PC	Non-Supply
E7-3	17B1015111	Oil Pump Body	0.00	PC	Non-Supply
E7-4	17B1015118	Dowel Pin 4x6.5.	0.00	PC	Non-Supply
E7-5	17B1015115	Oil Pump Outer Rotor	0.00	PC	Non-Supply
E7-6	17B1015114	Oil Pump Inner Rotor	0.00	PC	Non-Supply
E7-7	17B1015112	Oil Pump Cover	0.00	PC	Non-Supply
E7-8	GB/T819.1	Bolt M3x10	0.00	PC	Non-Supply
E7-9	GB/T16674	Bolt M6x25	0.00	PC	Non-Supply
E7-10	17B1015121	Oil Pump Driven Sprocket	0.00	PC	<a href="#">Purchase</a>
E7-11	GB/T6177.1	Nut M6	0.00	PC	Non-Supply
E7-12	17B1015140	Oil Pump Chain	0.00	PC	<a href="#">Purchase</a>
E7-13	17B1015031	Driven Sprocket Stopper	0.00	PC	<a href="#">Purchase</a>
E7-14	GB/T16674	Bolt M6x12	0.00	PC	Non-Supply

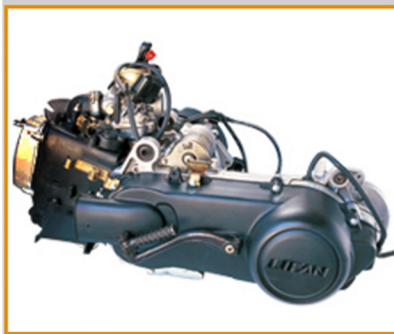


Model: 1P52QMI Update Time: 2010-7-7 10:07:38

E-8 起动机 STARTER MOTOR

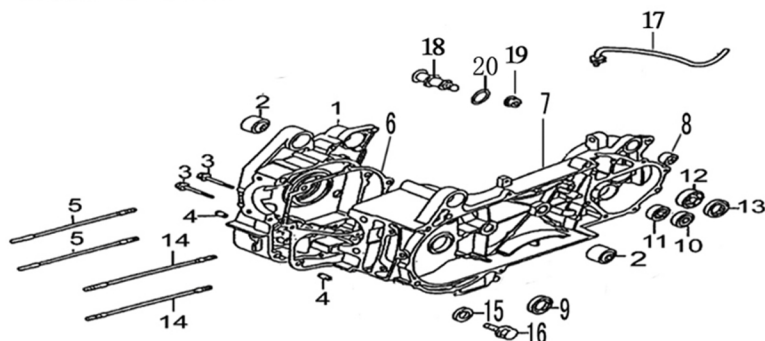


PartNo.	PartCode	Description	U.Price	Unit	Purchase
E8-1	17B1034890	Start Motor Wiring Harness	0.00	PC	Non-Supply
E8-2	17B1034700	Start Motor	0.00	PC	<a href="#">Purchase</a>
E8-3	17B1028311	Twin-Gear	0.00	PC	<a href="#">Purchase</a>
E8-4	17B1028321	twin-Gear Shaft	0.00	PC	<a href="#">Purchase</a>
E8-5	17B1028161	Start Clutch Gear	0.00	PC	Non-Supply
E8-6	GB/T290	Needle Bearing K28x32x17	0.00	PC	Non-Supply
E8-7	GB/T90	Socket Bolt M6x10	0.00	PC	Non-Supply
E8-8	17B1028120	Starting Clutch Body Comp.	0.00	PC	Non-Supply
E8-9	17B1028111	Roller 10x10	0.00	PC	Non-Supply
E8-10	17B1028113	Starting Clutch Spring	0.00	PC	Non-Supply
E8-11	17B1028112	Starting Clutch Spring Sleeve	0.00	PC	Non-Supply
E8-12	17B1028114	Starting Clutch Cover	0.00	PC	Non-Supply
E8-13	17B1028172	Starting Clutch Gear Washer	0.00	PC	Non-Supply
E8-14	17B1028173	Lock Nut M22	0.00	PC	<a href="#">Purchase</a>
E8-15	17B1028100	Start Clutch Assy	0.00	SET	<a href="#">Purchase</a>

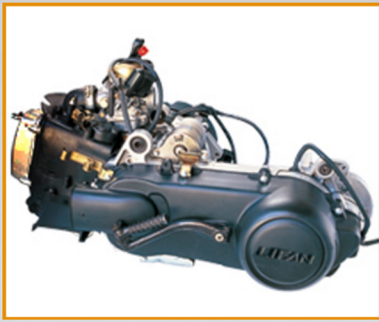


IP52QMI Update Time: 2010-7-7 10:07:38

E-9 曲轴箱 CRANKCASE

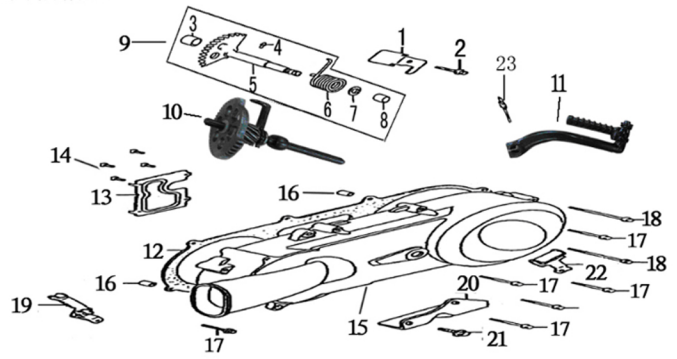


PartNo.	PartCode	Description	U.Price	Unit	Purchase
E9-1	17B1011110	Crankcase, RH	0.00	PC	<a href="#">Purchase</a>
E9-2	17B1011120	Engine Hanger Bush	0.00	PC	<a href="#">Purchase</a>
E9-3	GB/T16674	Bolt M6x50.	0.00	PC	Non-Supply
E9-4	17B1011318	Dowel Pin 8x14	0.00	PC	<a href="#">Purchase</a>
E9-5	17B1012342	Cylinder Stud A	0.00	PC	<a href="#">Purchase</a>
E9-6	17B1011119	Crankcase Gasket	0.00	PC	<a href="#">Purchase</a>
E9-7	17B1011210	Crankcase Comp., LH	0.00	PC	<a href="#">Purchase</a>
E9-8	17B1011220	Rear Shock Absorber Lower Bush	0.00	PC	<a href="#">Purchase</a>
E9-9	17B1013190	Crankshaft Oil Seal,LH 19.8x30x5	0.00	PC	<a href="#">Purchase</a>
E9-10	GB/T276	Bearing 6301	0.00	PC	<a href="#">Purchase</a>
E9-11	GB/T276	Bearing 6002	0.00	PC	<a href="#">Purchase</a>
E9-12	GB/T276	Bearing 6004DU	0.00	PC	<a href="#">Purchase</a>
E9-13	17B1023580	Oil Seal 27x42x7	0.00	PC	<a href="#">Purchase</a>
E9-14	17B1012343	Cylinder Stud B	0.00	PC	<a href="#">Purchase</a>
E9-15	17B1011213	Drain Plug Washer	0.00	PC	<a href="#">Purchase</a>
E9-16	17B1015497	Plug	0.00	PC	<a href="#">Purchase</a>
E9-17	17B1020180	Waste Pipe Set	0.00	PC	Non-Supply
E9-18	17B1023540	Brake Shoe Pin	0.00	PC	<a href="#">Purchase</a>
E9-19	GB/T6177.1	Nut M8	0.00	PC	Non-Supply
E9-20	17B1023543	O-Ring 7.5x1.5	0.00	PC	<a href="#">Purchase</a>



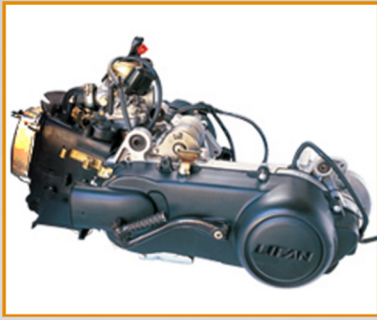
Model: 1P52QMI Update Time: 2010-7-7 10:07:38

E-10 左曲轴箱盖LEFT CRANKCASE COVER



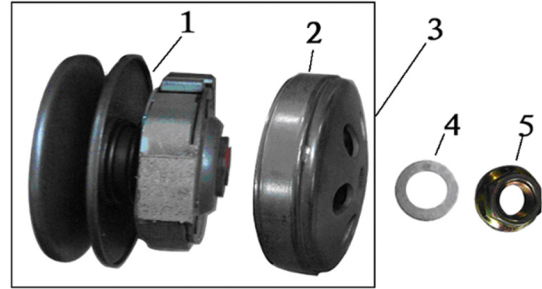
PartNo.	PartCode	Description	U.Price	Unit	Purchase
E10-1	17B1027133	Stopper	0.00	PC	<a href="#">Purchase</a>
E10-2	GB/T16674	Bolt M6x12	0.00	PC	Non-Supply
E10-3	17B1027146	Bush 12x16x12	0.00	PC	Non-Supply
E10-4	17B1027149	Special Pin 4.5	0.00	PC	Non-Supply
E10-5	17B1027111	Starting Shaft	0.00	PC	Non-Supply
E10-6	17B1027118	Starting Return Spring	0.00	PC	Non-Supply
E10-7	17B1027114	Starting Shaft Washer 14	0.00	PC	Non-Supply
E10-8	17B1027147	Bush	0.00	PC	Non-Supply
E10-9	17B1027100	Starting Shaft Assy	0.00	SET	<a href="#">Purchase</a>
E10-10	17B1027220	Starting Mid-Gear Comp.	0.00	SET	<a href="#">Purchase</a>
E10-11	17B1027700	Kick Starter Assy	0.00	PC	<a href="#">Purchase</a>
E10-12	17B1011419	Crankcase cover Gasket, LH	0.00	PC	<a href="#">Purchase</a>
E10-13	17B1011416	Guide Plate	0.00	PC	<a href="#">Purchase</a>
E10-14	GB/T845	Screw ST4x8	0.00	PC	Non-Supply
E10-15	17B1011411	Crankcase Cover, LH	0.00	PC	<a href="#">Purchase</a>
E10-16	17B1011318	Dowel Pin 8x14	0.00	PC	<a href="#">Purchase</a>
E10-17	GB/T16674	Bolt M6x40	0.00	PC	Non-Supply
E10-18	GB/T16674	Bolt M6x65	0.00	PC	Non-Supply
E10-19	17B1016190	Cable Clamp	0.00	PC	<a href="#">Purchase</a>
E10-20	17B1011443	Main Stand Stopper	0.00	PC	<a href="#">Purchase</a>
E10-21	GB/T16674	Bolt M6x12	0.00	PC	Non-Supply
E10-22	17B1023546	Brake Cable Clamp	0.00	PC	<a href="#">Purchase</a>
E10-23	GB/T16674	Bolt M6x22	0.00	PC	Non-Supply



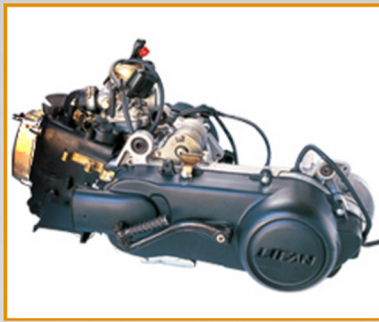


Model: 1P52QMI Update Time: 2010-7-7 10:07:38

E-11 从动轮 DRIVEN PULLEY

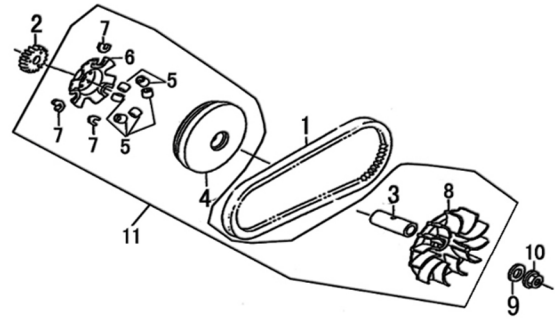


PartNo.	PartCode	Description	U.Price	Unit	Purchase
E11-1	17B1023330	Driven Pulley Comp.	0.00	PC	<a href="#">Purchase</a>
E11-2	17B1021310	Driven Disc Comp.	0.00	PC	<a href="#">Purchase</a>
E11-3	17B1023300	Driven Pulley Assy	0.00	SET	<a href="#">Purchase</a>
E11-4	17B1021391	Washer12.2x29x2.5	0.00	PC	Non-Supply
E11-5	17B1021392	Nut M12	0.00	PC	<a href="#">Purchase</a>

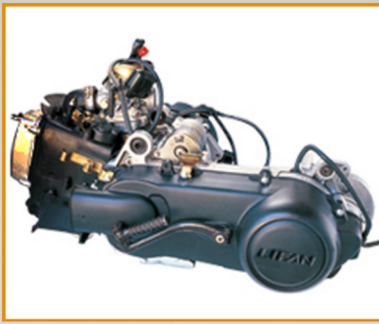


Model: 1P52QMI Update Time: 2010-7-7 10:07:38

E-12 皮带 主动轮 BELT DRIVING

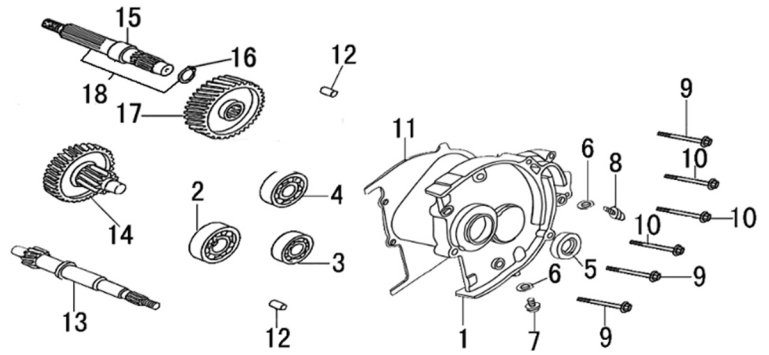


PartNo.	PartCode	Description	U.Price	Unit	Purchase
E12-1	17B1023200	Drive Belt (L=723)	0.00	PC	<a href="#">Purchase</a>
E12-2	17B1027231	Starting Driven Gear (20T)	0.00	PC	<a href="#">Purchase</a>
E12-3	17B1023141	Drive Gear Sleeve	0.00	PC	<a href="#">Purchase</a>
E12-4	17B1023120	Driving Pulley Sliding Plate	0.00	PC	<a href="#">Purchase</a>
E12-5	17B1023130	Centrifugal Roller Set	0.00	PC	<a href="#">Purchase</a>
E12-6	17B1023142	Drive Gear Chuck	0.00	PC	Non-Supply
E12-7	17B1023143	Drive Gear Chuck Slide-Block	0.00	PC	Non-Supply
E12-8	17B1023111	Driving Pulley Fixing Plate	0.00	PC	<a href="#">Purchase</a>
E12-9	17B1023144	Washer 12.2x29x2.5	0.00	PC	Non-Supply
E12-10	17B1023145	Lock Nut M12	0.00	PC	<a href="#">Purchase</a>
E12-11	17B1023100	Driving Pulley Assy	0.00	SET	<a href="#">Purchase</a>



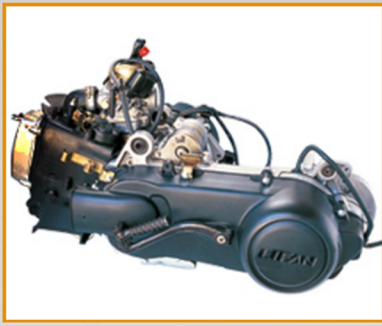
Model: 1P52QMI Update Time: 2010-7-7 10:07:38

E-13 传动系 TRANSMISSION SYSTEM



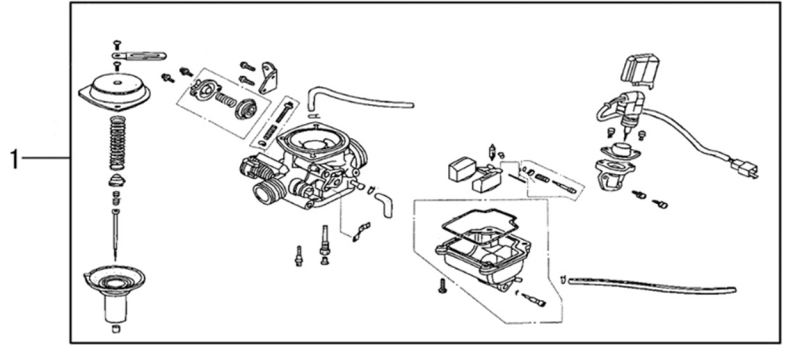
PartNo.	PartCode	Description	U.Price	Unit	Purchase
E13-1	17B1023511	Transmission Case	0.00	PC	<a href="#">Purchase</a>
E13-2	GB/T276	Bearing 6204	0.00	PC	<a href="#">Purchase</a>
E13-3	GB/T276	Bearing 6202	0.00	PC	<a href="#">Purchase</a>
E13-4	GB/T276	Bearing 6203	0.00	PC	<a href="#">Purchase</a>
E13-5	17B1023590	Oil Seal 20x32x6	0.00	PC	<a href="#">Purchase</a>
E13-6	17B1023517	Washer 8	0.00	PC	Non-Supply
E13-7	GB/T16674	Bolt M8x12	0.00	PC	Non-Supply
E13-8	GB/T16674	Bolt M8x12	0.00	PC	Non-Supply
E13-9	GB/T16674	Bolt M6x28	0.00	PC	Non-Supply
E13-10	GB/T16674	Bolt M6x35	0.00	PC	Non-Supply
E13-11	17B1023519	Gasket	0.00	PC	<a href="#">Purchase</a>
E13-12	17B1011318	Dowel Pin 8x14	0.00	PC	<a href="#">Purchase</a>
E13-13	17B1023551	Drive Shaft	0.00	PC	<a href="#">Purchase</a>
E13-14	17B1023560	Mid Shaft Assy	0.00	PC	<a href="#">Purchase</a>
E13-15	17B1023571	Output Shaft	0.00	PC	Non-Supply
E13-16	GB/T894.1	Sping Circlip	0.00	PC	Non-Supply
E13-17	17B1023572	Terminal Gear	0.00	PC	<a href="#">Purchase</a>
E13-18	17B1023570	Output Shaft Set	0.00	PC	<a href="#">Purchase</a>



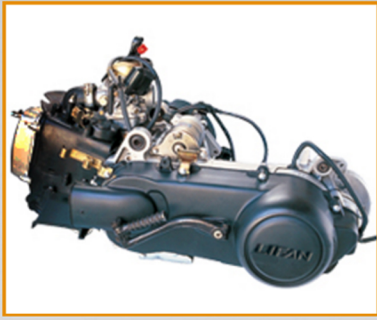


Model: 1P52QMI Update Time: 2010-7-7 10:07:38

E-14 化油器 CARBURETOR

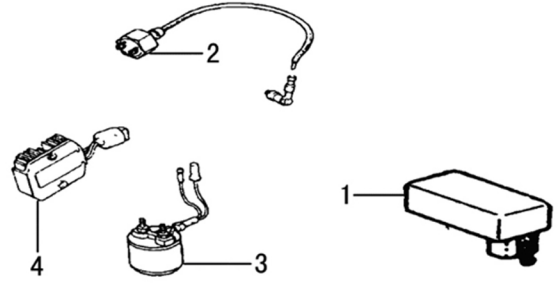


PartNo.	PartCode	Description	U.Price	Unit	Purchase
E14-1	17B1016100	Carburetor Assy	0.00	PC	<a href="#">Purchase</a>



Model: 1P52QMI Update Time: 2010-7-7 10:07:38

E-15 电器 ELECTRIC ELEMENTS



PartNo.	PartCode	Description	U.Price	Unit	Purchase
E15-1	17B1034400	Ignition Controller	0.00	PC	<a href="#">Purchase</a>
E15-2	17B1034500	Ignition Coil	0.00	PC	<a href="#">Purchase</a>
E15-3	17B1034600	Start Relay	0.00	PC	<a href="#">Purchase</a>
E15-4	17B1031600	Voltage Regulator	0.00	PC	<a href="#">Purchase</a>