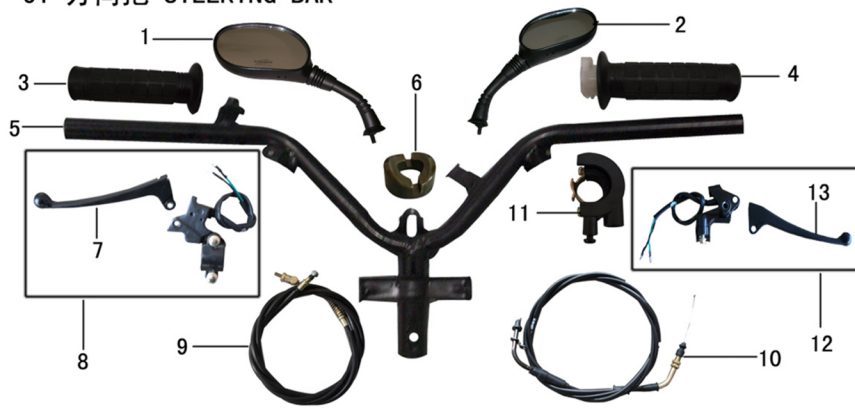




Model: LF125T-2V Update Time: 2012-5-11 9:16:39

F-01 方向把 STEERING BAR



PartNo.	PartCode	Description	U.Price	Unit	Purchase
F01-01	XXXXX57200	Rearview Mirror,LH	0.00	PC	Purchase
F01-02	XXXXX57100	Rearview Mirror,RH	0.00	PC	Purchase
F01-03	XXXXX47411	Grip Comp.,LH	0.00	PC	Purchase
F01-04	XXXXX47311	Grip Comp.,RH	0.00	PC	Purchase
F01-05	XXXXX47110	Steering Bar	0.00	PC	Purchase
F01-06	XXXXX42104	Collar Handle Bar	0.00	PC	Purchase
F01-07	XXXXX47651	Lever, rear brake	0.00	PC	Purchase
F01-08	XXXXXXXXXXXX	Rear Brake Lever	0.00	PC	Purchase
F01-09	XXXXX46410	Rear Brake Cable	0.00	PC	Purchase
F01-10	XXXXX46310	Throttle Cable	0.00	PC	Purchase
F01-11	XXXXX42410	Seat, Throttle Cable	0.00	PC	Purchase
F01-12	XXXXXXXXXXXX	Lever Comp., Front Brake	0.00	PC	Purchase
F01-13	XXXXXXXXXXXX	Lever, rear Front	0.00	PC	Purchase

F-02 大灯&仪表 HEADLIGHT & METER



Model: LF125T-2V Update Time: 2012-5-11 9:16:39



PartNo.	PartCode	Description	U.Price	Unit	Purchase
F02-01	XXXXXX43151	Fairing, front	0.00	PC	Purchase
F02-02	XXXXXX63401	WIND BOARD	0.00	PC	Purchase
F02-03	XXXXXX86820	FRONT WINKER	0.00	PC	Purchase
F02-04	GB 15766.1	Bulb 12v/10w	0.00	PC	Purchase
F02-05	XXXXXX63574	Steering Bar Rear Cover	0.00	PC	Purchase
F02-06	XXXXXX87100	Meter Assy	0.00	PC	Purchase
F02-07	XXXXXX87310	Odometer Cable Comp.	0.00	PC	Purchase
F02-08	XXXXXX86100	Headlight Assy	0.00	PC	Purchase
F02-09	GB 15766.1	Bulb 12v/35w	0.00	PC	Purchase
F02-10	XXXXXX84400	Handlebar Switch,LH	0.00	PC	Purchase
F02-11	XXXXXX84500	Handlebar Switch,RH	0.00	PC	Purchase



F-03 前面板 FRONT COVER



Model: LF125T-2V Update Time: 2012-5-11 9:16:39

PartNo.	PartCode	Description	U.Price	Unit	Purchase
F03-01	XXXXXX62308	Front Cover	0.00	PC	Purchase
F03-02	XXXXXX62301	PANEL,FRONT	0.00	PC	Purchase

F-04 车架中部覆盖件 FRAME MID COVER



Model: LF125T-2V Update Time: 2012-5-11 9:16:39

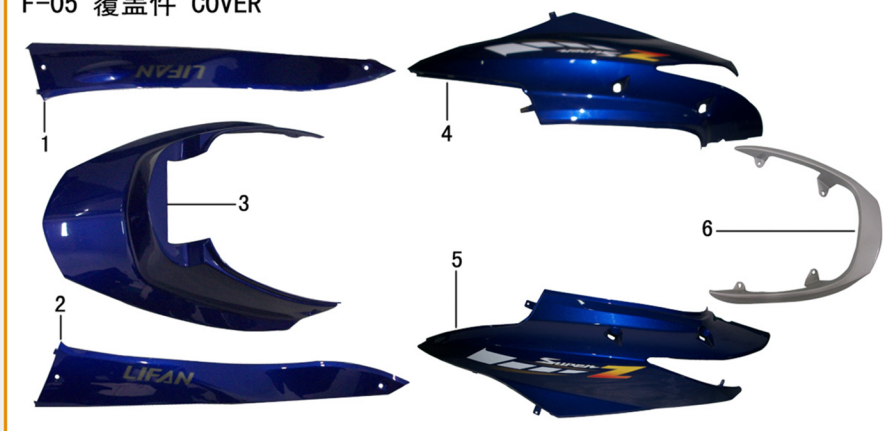


PartNo.	PartCode	Description	U.Price	Unit	Purchase
F04-01	XXXXXX62320	Front Trunk r	0.00	PC	Purchase
F04-02	XXXXXX62325	COVER,FRONT LUGGAGE CASE	0.00	PC	Purchase
F04-03	XXXXXX62323	VIN Cover Plate	0.00	PC	Purchase
F04-04	XXXXXX63811	Rider Treadle	0.00	PC	Purchase
F04-05	XXXXXX63107	Guard, lower	0.00	PC	Purchase
F04-06	XXXXXX63814	Rider Treadle Mat	0.00	PC	Purchase
F04-07	XXXXXX63813	Battery Case	0.00	PC	Purchase
F04-08	XXXXXX63814	Battery Case Cover	0.00	PC	Purchase

F-05 覆盖件 COVER



Model: LF125T-2V Update Time: 2012-5-11 9:16:39

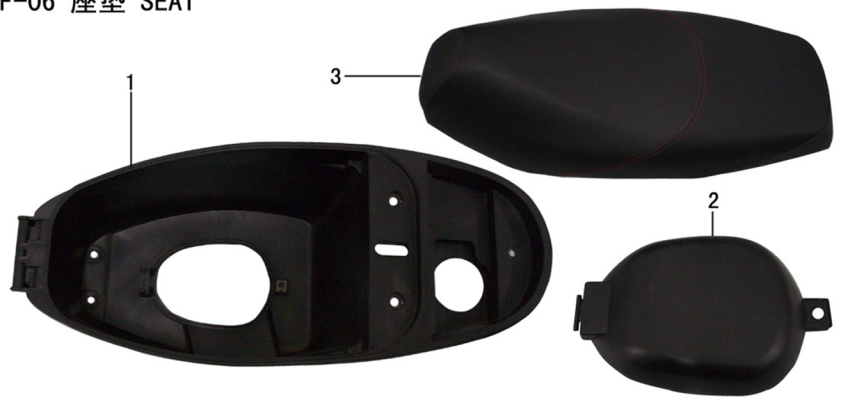


PartNo.	PartCode	Description	U.Price	Unit	Purchase
F05-01	XXXXXX62351	Left Side Guard	0.00	PC	Purchase
F05-02	XXXXXX62352	Right Side Guard	0.00	PC	Purchase
F05-03	XXXXXX636D0	COVER,LUGGAGE CASE FRONT	0.00	PC	Purchase
F05-04	XXXXXX63611	Rear shield, LH	0.00	PC	Purchase
F05-05	XXXXXX63612	Side Cover,RH	0.00	PC	Purchase
F05-06	XXXXXX42130	Rear Carrier	0.00	PC	Purchase



Model: LF125T-2V Update Time: 2012-5-11 9:16:39

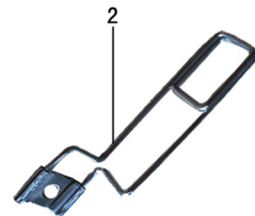
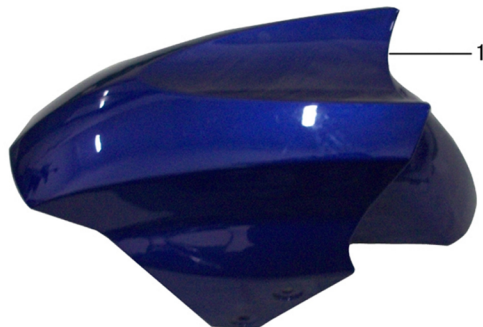
F-06 座墊 SEAT



PartNo.	PartCode	Description	U.Price	Unit	Purchase
F06-01	XXXXXX6369A	Rear Luggage	0.00	PC	Purchase
F06-02	XXXXXX63691	Rear Luggage Cover	0.00	PC	Purchase
F06-03	XXXXXX44100	Seat Assy	0.00	PC	Purchase



F-07 前挡泥板 FRONT FENDER

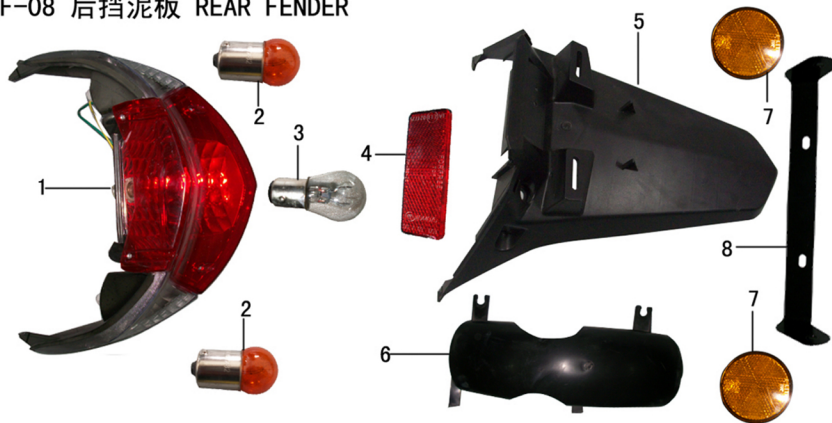


Model: LF125T-2V Update Time: 2012-5-11 9:16:39

PartNo.	PartCode	Description	U.Price	Unit	Purchase
F07-01	XXXXXX63100	Front Fender	0.00	PC	Purchase
F07-02	XXXXXX87309	Odometer Cable Clip	0.00	PC	Purchase



F-08 后挡泥板 REAR FENDER



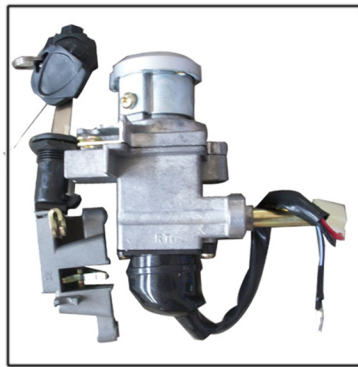
Model: LF125T-2V Update Time: 2012-5-11 9:16:39

PartNo.	PartCode	Description	U.Price	Unit	Purchase
F08-01	XXXXXX86200	Taillight Assy	0.00	PC	Purchase
F08-02	GB 15766.1	Bulb 12v/10w	0.00	PC	Purchase
F08-03	GB 15766.1	Bulb 12v/5w/21w	0.00	PC	Purchase
F08-04	XXXXXX85830	Rear Reflector	0.00	PC	Purchase
F08-05	XXXXXX6320A	Rear Fender	0.00	PC	Purchase
F08-06	XXXXXX63207	INNER PART, RR. FENDER	0.00	PC	Purchase
F08-07	XXXXXX85810	Side Reflector	0.00	PC	Non-Supply
F08-08	XXXXXXXXXXXX	Stay, rear license board	0.00	PC	Purchase

F-09 锁具总成 LOCK ASSY



Model: LF125T-2V Update Time: 2012-5-11 9:16:39

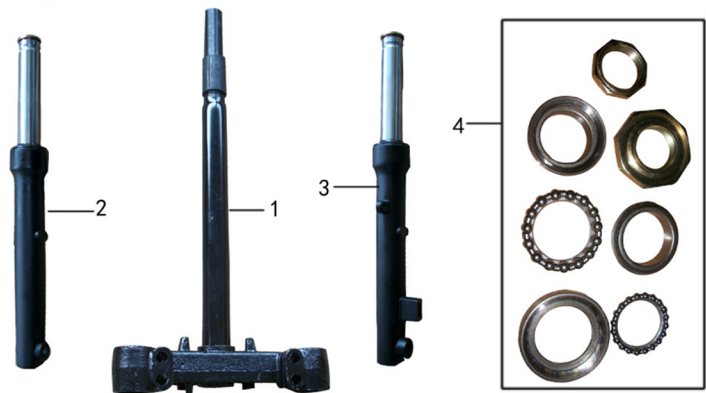


PartNo.	PartCode	Description	U.Price	Unit	Purchase
F09-01	XXXXXX92200	Lock Assy	0.00	SET	Purchase
F09-02	XXXXXX72900	Seat Lock Cable	0.00	PC	Purchase



Model: LF125T-2V Update Time: 2012-5-11 9:16:39

F-10-1 前叉 FRONT FORK

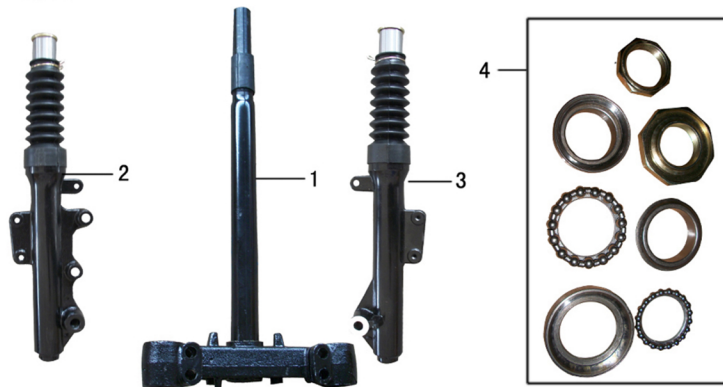


PartNo.	PartCode	Description	U.Price	Unit	Purchase
F10-I-01	XXXXXX71330	Steering Stem	0.00	PC	Purchase
F10-I-02	XXXXXXXXXXXX	Front Shock Absorber,RH	0.00	PC	Purchase
F10-I-03	XXXXXXXXXXXX	Front Shock Absorber,LH	0.00	PC	Purchase
F10-I-04	XXXXXX60000	Steering Stem Bearing Set	0.00	PC	Purchase



Model: LF125T-2V Update Time: 2012-5-11 9:16:39

F-10 前叉 FRONT FORK

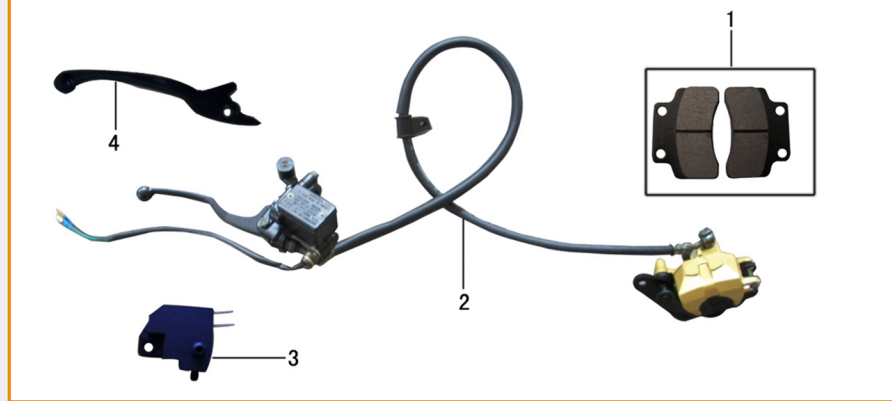


PartNo.	PartCode	Description	U.Price	Unit	Purchase
F10-01	XXXXXX71330	Steering Stem	0.00	PC	Purchase
F10-02	XXXXXX34200	Front Shock Absorber,RH	0.00	PC	Purchase
F10-03	XXXXXX34100	Front Shock Absorber,LH	0.00	PC	Purchase
F10-04	XXXXXX60000	Steering Stem Bearing Set	0.00	PC	Purchase

F-11 前液压制动器 FRONT HYDRAULIC BRAKE ASSY



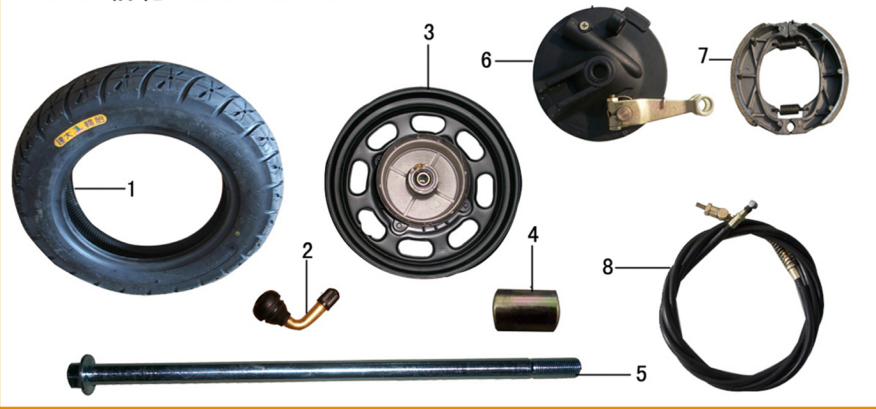
Model: LF125T-2V Update Time: 2012-5-11 9:16:39



PartNo.	PartCode	Description	U.Price	Unit	Purchase
F11-01	XXXXXX56521	Front Brake Pad	0.00	PC	Purchase
F11-02	XXXXXX53000	Front Hydraulic Brake Assy	0.00	PC	Purchase
F11-03	XXXXXX35310	Front Brake Switch	0.00	PC	Purchase
F11-04	XXXXXX47511	Front Brake Lever	0.00	SET	Purchase



F-12-1 前轮 FRONT WHEEL



Model: LF125T-2V Update Time: 2012-5-11 9:16:39

PartNo.	PartCode	Description	U.Price	Unit	Purchase
F12-I-01	XXXXXX51140	Front Tyre 3.5-10	0.00	PC	Purchase
F12-I-02	XXXXXX51160	Tube Valve	0.00	PC	Purchase
F12-I-03	XXXXXXXXXXXX	Front Wheel Hub Comp.	0.00	PC	Purchase
F12-I-04	XXXXXX91110	Front Wheel Left Bush	0.00	PC	Purchase
F12-I-05	XXXXXX91120	Front Axle	0.00	PC	Purchase
F12-I-06	XXXXXXXXXXXX	Front Brake Assy	0.00	PC	Purchase
F12-I-07	XXXXXXXXXXXX	Front Brake Shoe Set	0.00	PC	Purchase
F12-I-08	XXXXXXXXXXXX	Front Brake Cable	0.00	PC	Purchase

F-12 前轮 FRONT WHEEL



Model: LF125T-2V Update Time: 2012-5-11 9:16:39



PartNo.	PartCode	Description	U.Price	Unit	Purchase
F12-01	XXXXXX51140	Front Tyre 3.5-10	0.00	PC	Purchase
F12-02	XXXXXX51160	Tube Valve	0.00	PC	Purchase
F12-03	XXXXXX51130	Front Wheel Hub Comp.	0.00	PC	Purchase
F12-04	XXXXXX91110	Front Wheel Left Bush	0.00	PC	Purchase
F12-05	XXXXXX91120	Front Axle	0.00	PC	Purchase
F12-06	XXXXXX87350	Speedometer Gear Box	0.00	PC	Purchase
F12-07	XXXXXX53100	Front Brake Disc	0.00	PC	Purchase

F-13-1 后轮 REAR WHEEL



Model: LF125T-2V Update Time: 2012-5-11 9:16:39

PartNo.	PartCode	Description	U.Price	Unit	Purchase
F13-I-01	XXXXXX54700	Rear Tyre 3.5-10	0.00	PC	Purchase
F13-I-02	XXXXXX64920	Tube Valve	0.00	PC	Purchase
F13-I-03	XXXXXXXXXXXX	Rear Wheel Hub Comp.	0.00	PC	Purchase
F13-I-04	XXXXXX91110	Rear Wheel Bush	0.00	PC	Purchase
F13-I-05	XXXXXX54220	Rear Brake Shoe Set	0.00	PC	Purchase
F13-I-06	XXXXXX33300	Rear Shock Absorber Assy	0.00	PC	Purchase



Model: LF125T-2V Update Time: 2012-5-11 9:16:39

F-13 后轮 REAR WHEEL

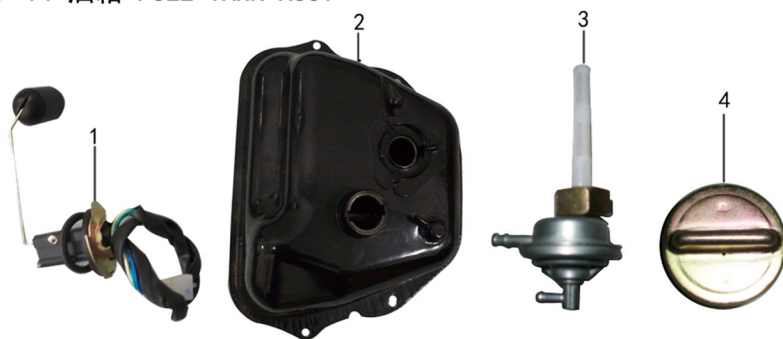


PartNo.	PartCode	Description	U.Price	Unit	Purchase
F13-01	XXXXXX54700	Rear Tyre 3.5-10	0.00	PC	Purchase
F13-02	XXXXXX64920	Tube Valve	0.00	PC	Purchase
F13-03	XXXXXX64100	Rear Wheel Hub Comp.	0.00	PC	Purchase
F13-04	XXXXXX91110	Rear Wheel Bush	0.00	PC	Purchase
F13-05	XXXXXX54220	Rear Brake Shoe Set	0.00	PC	Purchase
F13-06	XXXXXX33300	Rear Shock Absorber Assy	0.00	PC	Purchase



Model: LF125T-2V Update Time: 2012-5-11 9:16:39

F-14 油箱 FUEL TANK ASSY



PartNo.	PartCode	Description	U.Price	Unit	Purchase
F14-01	XXXXXX87200	Fuel Sensor	0.00	PC	Purchase
F14-02	XXXXXX61190	Fuel Tank Weldment	0.00	PC	Purchase
F14-03	XXXXXX61150	Vacuum Switch	0.00	PC	Purchase
F14-04	XXXXXX61190	Cap, fuel filler	0.00	PC	Purchase

F-15 消声器总成 EXHAUST MUFFLER ASSY



Model: LF125T-2V Update Time: 2012-5-11 9:16:39



PartNo.	PartCode	Description	U.Price	Unit	Purchase
F15-01	XXXXX18200	Exhaust Muffler Comp.	0.00	PC	Purchase
F15-02	XXXXX18030	Exhaust Muffler Gasket	0.00	PC	Purchase
F15-03	XXXXXXXXXXXX	Muffler Ornament	0.00	PC	Purchase

F-16 空气滤清器总成 AIR CLEANER ASSY



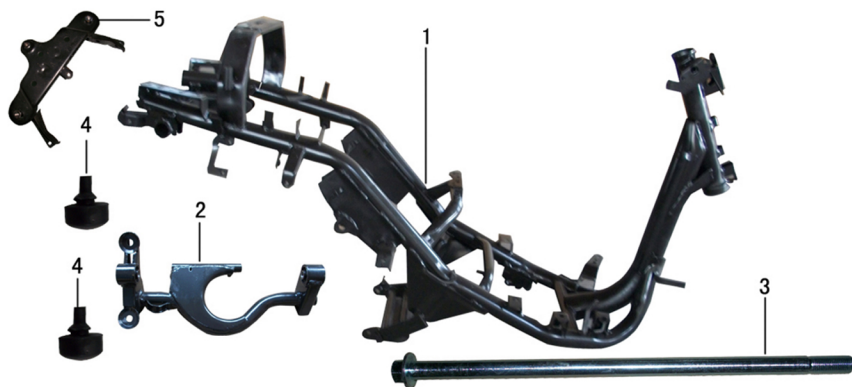
Model: LF125T-2V Update Time: 2012-5-11 9:16:39



PartNo.	PartCode	Description	U.Price	Unit	Purchase
F16-01	XXXXX16100	Air Cleaner Assy	0.00	PC	Purchase
F16-02	XXXXX16120	Air Clean Filter Set	0.00	PC	Purchase



F-17 车架FRAME



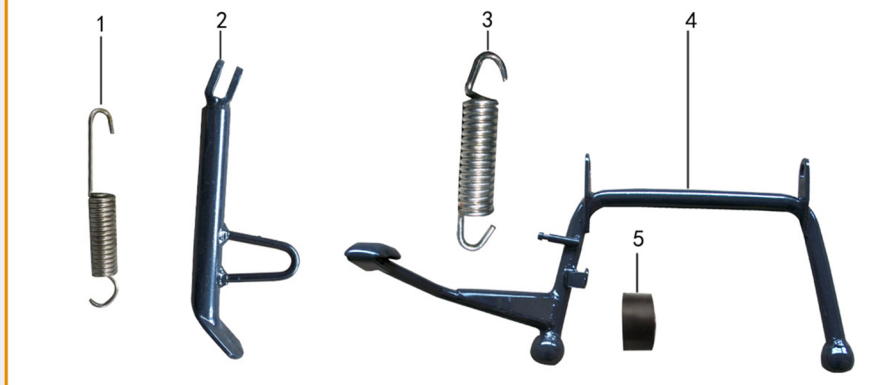
Model: LF125T-2V Update Time: 2012-5-11 9:16:39

PartNo.	PartCode	Description	U.Price	Unit	Purchase
F17-01	XXXXXX31000	Frame Weldment	0.00	PC	Purchase
F17-02	XXXXXX32310	Engine Suspension Comp.	0.00	PC	Purchase
F17-03	XXXXXX91120	Axle Of Engine	0.00	PC	Purchase
F17-04	XXXXXX32312	Cushion,Engine Holder	0.00	PC	Purchase
F17-05	XXXXXX611A0	Fuel Tank Bracket	0.00	PC	Purchase

F-18 主、侧支架 CENTER & SIDE STAND

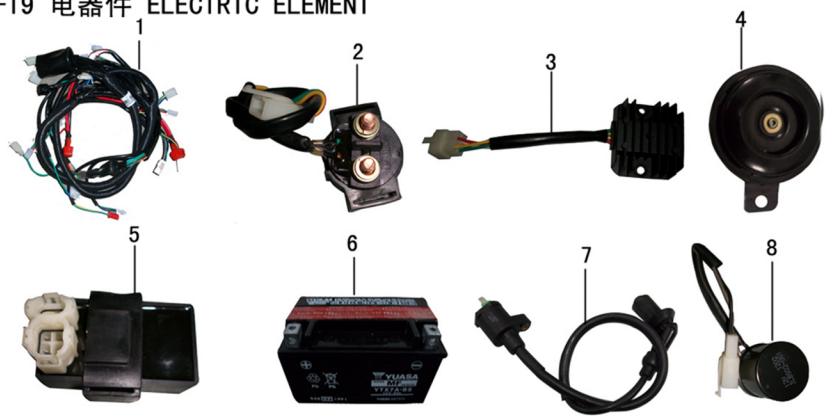


Model: LF125T-2V Update Time: 2012-5-11 9:16:39



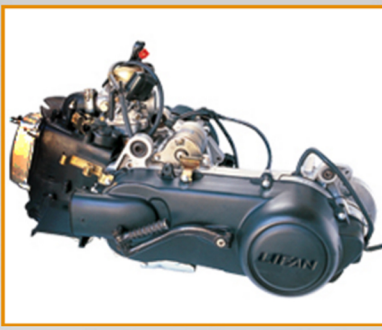
PartNo.	PartCode	Description	U.Price	Unit	Purchase
F18-01	XXXXXX32102	Side Stand Spring	0.00	PC	Purchase
F18-02	XXXXXX32130	Side Stand	0.00	PC	Purchase
F18-03	XXXXXX32202	Center Stand Spring	0.00	PC	Purchase
F18-04	XXXXXX32200	Center Stand Comp.	0.00	PC	Purchase
F18-05	XXXXXX32331	Pad,Main Stand Cushion	0.00	PC	Purchase

F-19 电 器 件 ELECTRIC ELEMENT



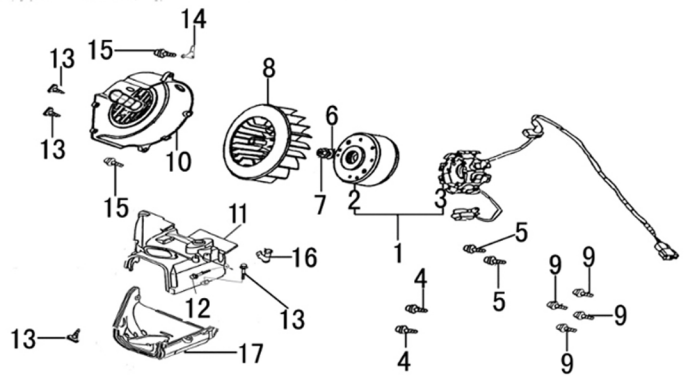
Model: LF125T-2V Update Time: 2012-5-11 9:16:39

PartNo.	PartCode	Description	U.Price	Unit	Purchase
F19-01	XXXXXX85100	Main Cable	0.00	PC	Purchase
F19-02	XXXXXX82290	Starting Relay	0.00	PC	Purchase
F19-03	XXXXXX83100	Voltage Regulator	0.00	PC	Purchase
F19-04	XXXXXX85500	Horn	0.00	PC	Purchase
F19-05	XXXXXX81200	Ignition Controller	0.00	PC	Purchase
F19-06	XXXXXX31500	Battery	0.00	PC	Purchase
F19-07	XXXXXX81100	Ignition Coil	0.00	PC	Purchase
F19-08	XXXXXX85600	Flashing Relay	0.00	PC	Purchase

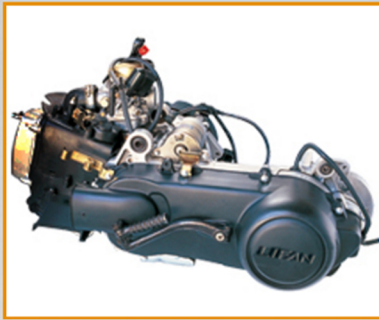


Model: 1P52QMI Update Time: 2010-7-7 10:07:38

E-1 风扇盖 磁电机 FAN COVER & MAGNETO

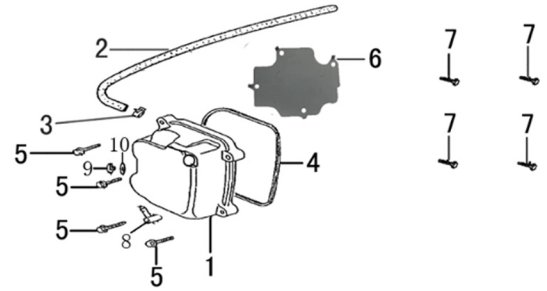


PartNo.	PartCode	Description	U.Price	Unit	Purchase
E1-1	17B1031100	Magneto Assy	0.00	SET	Purchase
E1-2	17B1031110	Magneto Rotor Comp.	0.00	PC	Purchase
E1-3	17B1031210	Magneto Stator Comp.	0.00	PC	Purchase
E1-4	GB/T5786	Bolt M6x25	0.00	PC	Non-Supply
E1-5	GB/T5781	Bolt M5x12	0.00	PC	Non-Supply
E1-6	GB/T97.1	Washer 12	0.00	PC	Non-Supply
E1-7	GB/T6177.1	Nut M12x1.25	0.00	PC	Purchase
E1-8	17B1019810	Fan Impeller	0.00	PC	Purchase
E1-9	GB/T16674	Bolt M6x18	0.00	PC	Non-Supply
E1-10	17B1019710	Cooling Fan Cover	0.00	PC	Purchase
E1-11	17B1019730	Air-Flow Guard B	0.00	PC	Purchase
E1-12	GB/T16674	Bolt M6x25	0.00	PC	Non-Supply
E1-13	GB/T9456	Screw ST4.8x16	0.00	PC	Non-Supply
E1-14	17B1034951	Starter Motor Wire Clamper	0.00	PC	Purchase
E1-15	GB/T16674	Bolt M6x25	0.00	PC	Non-Supply
E1-16	17B1019742	Overflow Pipe Clamp	0.00	PC	Non-Supply
E1-17	17B1019720	Air-Flow Guard A	0.00	PC	Purchase

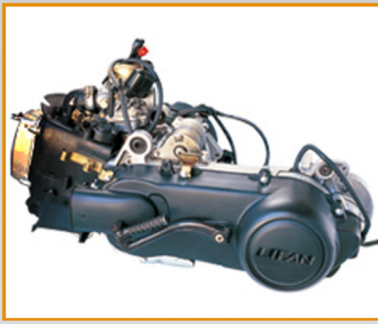


Model: 1P52QMI Update Time: 2010-7-7 10:07:38

E-2 气缸头盖 CYLINDER HEAD COVER

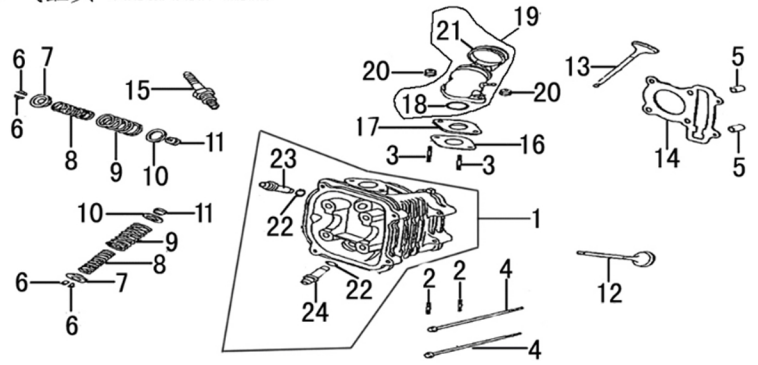


PartNo.	PartCode	Description	U.Price	Unit	Purchase
E2-1	17B1012310	Cylinder Head Cover	0.00	PC	Purchase
E2-2	17B1020162	Waste Pipe	0.00	PC	Non-Supply
E2-3	17B1020163	Waste Pipe Clip $\phi 8$	0.00	PC	Non-Supply
E2-4	17B1012312	Cylinder Head Cover Gasket	0.00	PC	Purchase
E2-5	GB/T16674	Bolt M6x25	0.00	PC	Non-Supply
E2-6	17B1012353	Plate	0.00	PC	Purchase
E2-7	GB/T845	Screw M4x8	0.00	PC	Non-Supply
E2-8	17B1020160	Exhaust Nipple	0.00	PC	Purchase
E2-9	17B1015285	Washer 6.5	0.00	PC	Non-Supply
E2-10	GB/T16674	Bolt M6x12	0.00	PC	Non-Supply

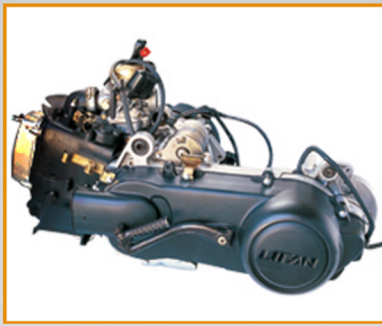


Model: 1P52QMI Update Time: 2010-7-7 10:07:38

E-3 气缸头 CYLINDER HEAD

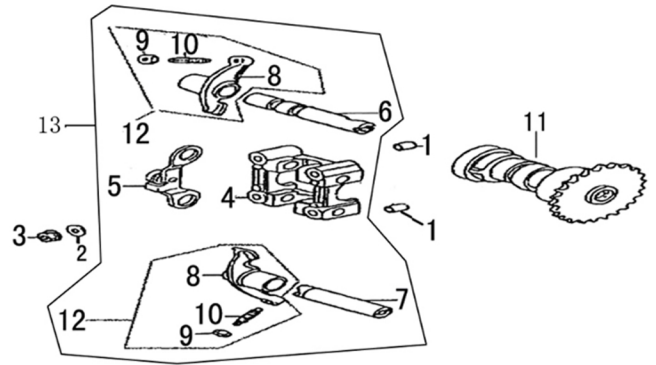


PartNo.	PartCode	Description	U.Price	Unit	Purchase
E3-1	17B1012210	Cylinder Head	0.00	PC	Purchase
E3-2	GB/T899	Stud M6x32	0.00	PC	Non-Supply
E3-3	GB/T899	Stud M6x62	0.00	PC	Non-Supply
E3-4	GB/T16674	Bolt M6x100	0.00	PC	Non-Supply
E3-5	17B1012118	Dowel Pin 10×14	0.00	PC	Purchase
E3-6	17B1014752	Valve Split Cone	0.00	PC	Purchase
E3-7	17B1014751	Valve Spring Upper Seat	0.00	PC	Purchase
E3-8	17B1014756	Valve Inner Spring	0.00	PC	Purchase
E3-9	17B1014755	Valve Outer Spring	0.00	PC	Purchase
E3-10	17B1014753	Valve Lower Seat	0.00	PC	Purchase
E3-11	17B1014730	Valve Stem Oil Seal	0.00	PC	Purchase
E3-12	17B1014720	Exhaust Valve	0.00	PC	Purchase
E3-13	17B1014710	Inlet Valve	0.00	PC	Purchase
E3-14	17B1012221	Gasket for Cylinder Head	0.00	PC	Purchase
E3-15	17B1034210	Spark Plug A7RTC	0.00	PC	Purchase
E3-16	17B1017332	Inlet Pipe Casket	0.00	PC	Purchase
E3-17	17B1017331	Isolating Mat	0.00	PC	Purchase
E3-18	17B1017321	O-Ring 28×2.5	0.00	PC	Non-Supply
E3-19	17B1017310	Inlet Pipe Set	0.00	SET	Purchase
E3-20	GB/T6177.1	Nut M6	0.00	PC	Non-Supply
E3-21	17B1017340	Inlet Pipe Clip	0.00	PC	Non-Supply
E3-22	17B1012216	Guide O-Ring	0.00	PC	Non-Supply
E3-23	17B1012214	Inlet Valve Guide	0.00	PC	Non-Supply
E3-24	17B1012215	Exhaust Valve Guide	0.00	PC	Non-Supply

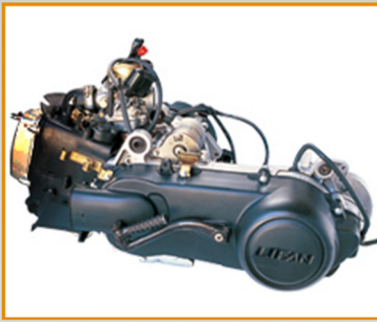


Model: IP52QMI Update Time: 2010-7-7 10:07:38

E-4 凸轮 摇臂 DRUM & ROCKET ARMY

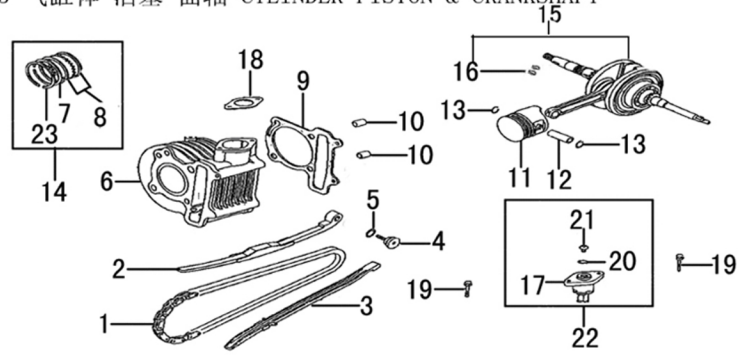


PartNo.	PartCode	Description	U.Price	Unit	Purchase
E4-1	17B1012118	Cylinder Block Dowel Pin 10×14	0.00	PC	Purchase
E4-2	GB/T96	Washer 8	0.00	PC	Non-Supply
E4-3	GB/T6177.1	Nut M8	0.00	PC	Non-Supply
E4-4	17B1014414	Rocker Arm Base	0.00	PC	Purchase
E4-5	17B1014150	Caging Plate	0.00	PC	Purchase
E4-6	17B1014420	Rocker Arm Shaft Set	0.00	PC	Purchase
E4-7	17B1014413	Rocker Arm Shaft	0.00	PC	Purchase
E4-8	17B1014411	Valve Rocker Arm	0.00	PC	Non-Supply
E4-9	17B1014416	Valve Clearance Adjusting Nut	0.00	PC	Non-Supply
E4-10	17B1014415	Valve Clearance Adjusting Screw	0.00	PC	Non-Supply
E4-11	17B1014100	Camshaft Assy	0.00	PC	Purchase
E4-12	17B1014410	Rocker Arm Assy	0.00	PC	Purchase
E4-13	17B10xxxxx	Camshaft Fix Assy	0.00	SET	Purchase

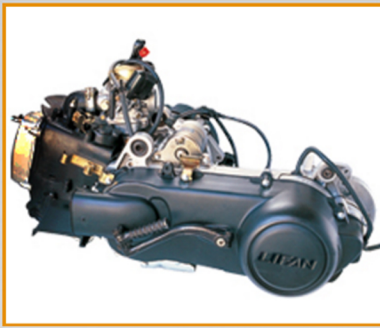


Model: 1P52QMI Update Time: 2010-7-7 10:07:38

E-5 气缸体 活塞 曲轴 CYLINDER PISTON & CRANKSHAFT

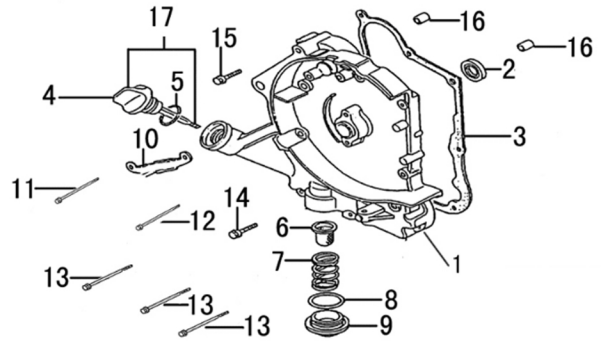


PartNo.	PartCode	Description	U.Price	Unit	Purchase
E5-1	17B1014350	Timing Chain	0.00	PC	Purchase
E5-2	17B1014650	Tensioning Plate	0.00	PC	Purchase
E5-3	17B1014610	Guide Plate	0.00	PC	Purchase
E5-4	17B1014661	Tensioning Plate Screw	0.00	PC	Purchase
E5-5	17B1014663	O-Ring 15.2x1.5	0.00	PC	Purchase
E5-6	17B1012110	Cylinder Block Comp.	0.00	PC	Purchase
E5-7	17B1013312	Piston Ring II	0.00	PC	Non-Supply
E5-8	17B1013320	3-piece Oil Ring	0.00	PC	Non-Supply
E5-9	17B1012121	Cylinder Block Gasket	0.00	PC	Purchase
E5-10	17B1012118	Cylinder Block Dowel Pin 10×14	0.00	PC	Purchase
E5-11	17B1013211	Piston	0.00	PC	Purchase
E5-12	17B1013221	Piston Pin	0.00	PC	Purchase
E5-13	17B1013222	Piston Pin Circlip	0.00	PC	Purchase
E5-14	17B1013300	Piston Ring Set	0.00	SET	Purchase
E5-15	17B1013100	Crankshaft and Connecting Rod	0.00	PC	Purchase
E5-16	17B1013118	Woodruff Key 25x14x4	0.00	PC	Non-Supply
E5-17	17B1014510	Tensioner	0.00	PC	Non-Supply
E5-18	17B1014519	Tensioner Gasket	0.00	PC	Purchase
E5-19	GB/T16674	Bolt M6x22	0.00	PC	Non-Supply
E5-20	17B1014528	O-Ring 1.5x9.5	0.00	PC	Purchase
E5-21	17B1014527	Screw M6x6	0.00	PC	Non-Supply
E5-22	17B1014500	Tensioner Assy	0.00	PC	Purchase
E5-23	17B1013311	Piston Ring I	0.00	PC	Non-Supply

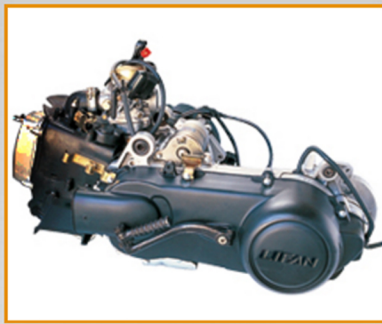


Model: 1P52QMI Update Time: 2010-7-7 10:07:38

E-6 右曲轴箱盖 RIGHT CRANKCASE COVER

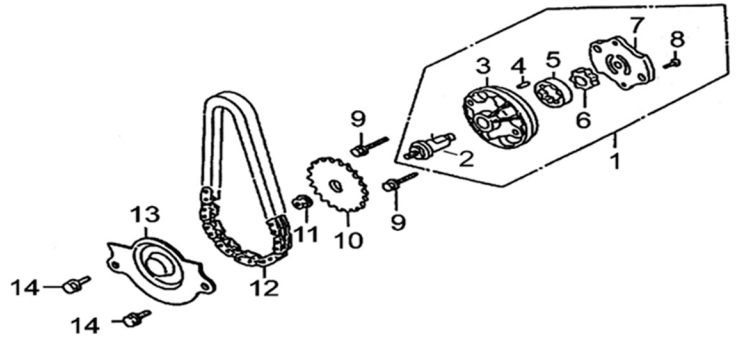


PartNo.	PartCode	Description	U.Price	Unit	Purchase
E6-1	17B1011311	Crankcase Cover, RH	0.00	PC	Purchase
E6-2	17B1013180	Crankshaft Oil Seal,RH 9.8x30x5	0.00	PC	Purchase
E6-3	17B1011319	Crankcase Cover Gasket, RH	0.00	PC	Purchase
E6-4	17B1015611	Dipstick	0.00	PC	Purchase
E6-5	17B1015612	O-Ring	0.00	PC	Purchase
E6-6	17B1015450	Oil Filter Screen	0.00	PC	Purchase
E6-7	17B1015461	Oil Filter Screen Spring	0.00	PC	Purchase
E6-8	17B1015462	Oil Filter Screen Cover O-Ring	0.00	PC	Purchase
E6-9	17B1015463	Oil Filter Screen Cover	0.00	PC	Purchase
E6-10	17B1031911	Magneto Wire Clamper	0.00	PC	Purchase
E6-11	GB/T16674	Bolt M6x110	0.00	PC	Non-Supply
E6-12	GB/T16674	Bolt M6x100	0.00	PC	Non-Supply
E6-13	GB/T16674	Bolt M6x95	0.00	PC	Non-Supply
E6-14	GB/T16674	Bolt M6x28	0.00	PC	Non-Supply
E6-15	GB/T16674	Bolt M6x32	0.00	PC	Non-Supply
E6-16	17B1011318	Dowel Pin 8x14	0.00	PC	Purchase
E6-17	17B1015610	Dipstick	0.00	PC	Non-Supply

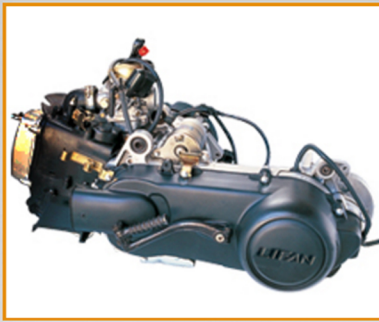


Model: 1P52QMI Update Time: 2010-7-7 10:07:38

E-7 机油泵 OIL PUMP

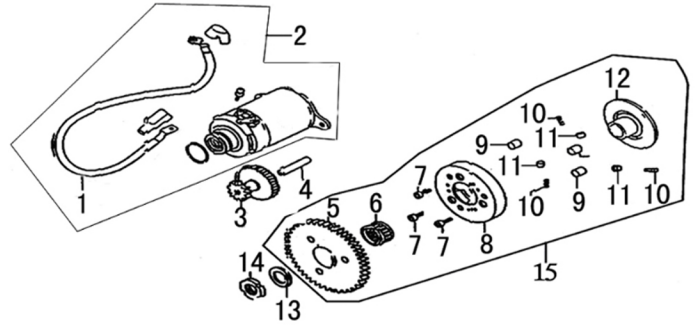


PartNo.	PartCode	Description	U.Price	Unit	Purchase
E7-1	17B1015100	Oil Pump Assy	0.00	PC	Purchase
E7-2	17B1015116	Oil Pump Shaft	0.00	PC	Non-Supply
E7-3	17B1015111	Oil Pump Body	0.00	PC	Non-Supply
E7-4	17B1015118	Dowel Pin 4x6.5.	0.00	PC	Non-Supply
E7-5	17B1015115	Oil Pump Outer Rotor	0.00	PC	Non-Supply
E7-6	17B1015114	Oil Pump Inner Rotor	0.00	PC	Non-Supply
E7-7	17B1015112	Oil Pump Cover	0.00	PC	Non-Supply
E7-8	GB/T819.1	Bolt M3x10	0.00	PC	Non-Supply
E7-9	GB/T16674	Bolt M6x25	0.00	PC	Non-Supply
E7-10	17B1015121	Oil Pump Driven Sprocket	0.00	PC	Purchase
E7-11	GB/T6177.1	Nut M6	0.00	PC	Non-Supply
E7-12	17B1015140	Oil Pump Chain	0.00	PC	Purchase
E7-13	17B1015031	Driven Sprocket Stopper	0.00	PC	Purchase
E7-14	GB/T16674	Bolt M6x12	0.00	PC	Non-Supply

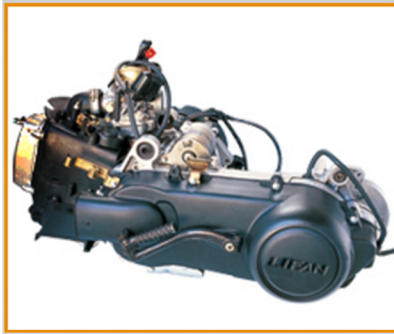


Model: 1P52QMI Update Time: 2010-7-7 10:07:38

E-8 起动机 STARTER MOTOR

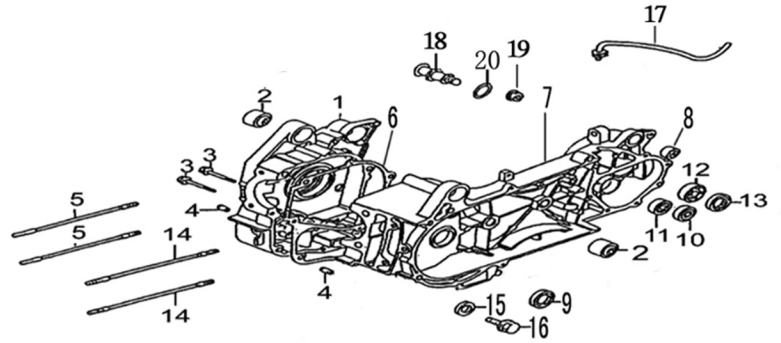


PartNo.	PartCode	Description	U.Price	Unit	Purchase
E8-1	17B1034890	Start Motor Wiring Harness	0.00	PC	Non-Supply
E8-2	17B1034700	Start Motor	0.00	PC	Purchase
E8-3	17B1028311	Twin-Gear	0.00	PC	Purchase
E8-4	17B1028321	twin-Gear Shaft	0.00	PC	Purchase
E8-5	17B1028161	Start Clutch Gear	0.00	PC	Non-Supply
E8-6	GB/T290	Needle Bearing K28x32x17	0.00	PC	Non-Supply
E8-7	GB/T90	Socket Bolt M6x10	0.00	PC	Non-Supply
E8-8	17B1028120	Starting Clutch Body Comp.	0.00	PC	Non-Supply
E8-9	17B1028111	Roller 10x10	0.00	PC	Non-Supply
E8-10	17B1028113	Starting Clutch Spring	0.00	PC	Non-Supply
E8-11	17B1028112	Starting Clutch Spring Sleeve	0.00	PC	Non-Supply
E8-12	17B1028114	Starting Clutch Cover	0.00	PC	Non-Supply
E8-13	17B1028172	Starting Clutch Gear Washer	0.00	PC	Non-Supply
E8-14	17B1028173	Lock Nut M22	0.00	PC	Purchase
E8-15	17B1028100	Start Clutch Assy	0.00	SET	Purchase

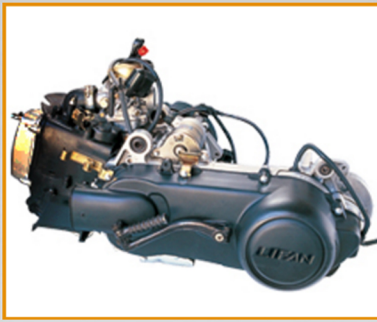


IP52QMI Update Time: 2010-7-7 10:07:38

E-9 曲轴箱 CRANKCASE

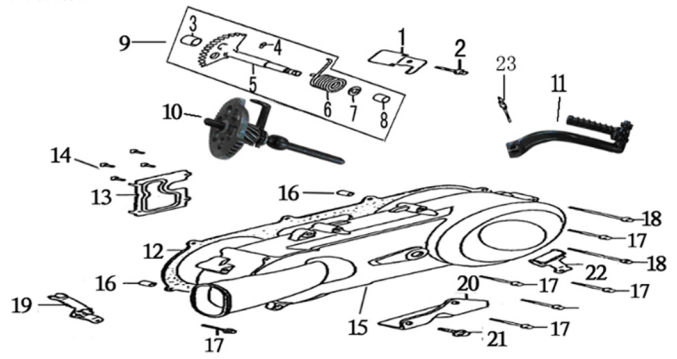


PartNo.	PartCode	Description	U.Price	Unit	Purchase
E9-1	17B1011110	Crankcase, RH	0.00	PC	Purchase
E9-2	17B1011120	Engine Hanger Bush	0.00	PC	Purchase
E9-3	GB/T16674	Bolt M6x50.	0.00	PC	Non-Supply
E9-4	17B1011318	Dowel Pin 8x14	0.00	PC	Purchase
E9-5	17B1012342	Cylinder Stud A	0.00	PC	Purchase
E9-6	17B1011119	Crankcase Gasket	0.00	PC	Purchase
E9-7	17B1011210	Crankcase Comp., LH	0.00	PC	Purchase
E9-8	17B1011220	Rear Shock Absorber Lower Bush	0.00	PC	Purchase
E9-9	17B1013190	Crankshaft Oil Seal,LH 19.8x30x5	0.00	PC	Purchase
E9-10	GB/T276	Bearing 6301	0.00	PC	Purchase
E9-11	GB/T276	Bearing 6002	0.00	PC	Purchase
E9-12	GB/T276	Bearing 6004DU	0.00	PC	Purchase
E9-13	17B1023580	Oil Seal 27x42x7	0.00	PC	Purchase
E9-14	17B1012343	Cylinder Stud B	0.00	PC	Purchase
E9-15	17B1011213	Drain Plug Washer	0.00	PC	Purchase
E9-16	17B1015497	Plug	0.00	PC	Purchase
E9-17	17B1020180	Waste Pipe Set	0.00	PC	Non-Supply
E9-18	17B1023540	Brake Shoe Pin	0.00	PC	Purchase
E9-19	GB/T6177.1	Nut M8	0.00	PC	Non-Supply
E9-20	17B1023543	O-Ring 7.5x1.5	0.00	PC	Purchase

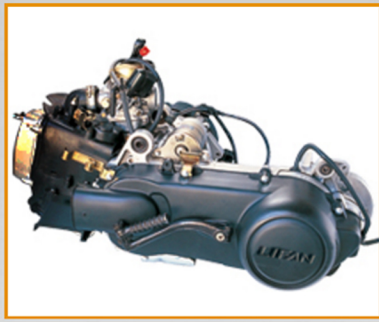


Model: 1P52QMI Update Time: 2010-7-7 10:07:38

E-10 左曲轴箱盖LEFT CRANKCASE COVER

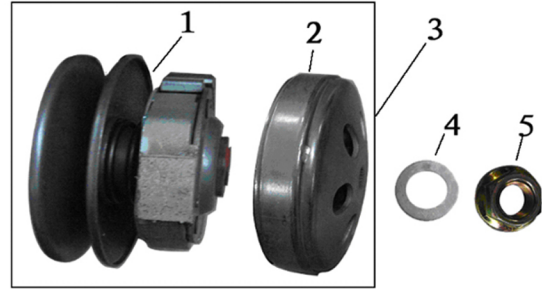


PartNo.	PartCode	Description	U.Price	Unit	Purchase
E10-1	17B1027133	Stopper	0.00	PC	Purchase
E10-2	GB/T16674	Bolt M6x12	0.00	PC	Non-Supply
E10-3	17B1027146	Bush 12x16x12	0.00	PC	Non-Supply
E10-4	17B1027149	Special Pin 4.5	0.00	PC	Non-Supply
E10-5	17B1027111	Starting Shaft	0.00	PC	Non-Supply
E10-6	17B1027118	Starting Return Spring	0.00	PC	Non-Supply
E10-7	17B1027114	Starting Shaft Washer 14	0.00	PC	Non-Supply
E10-8	17B1027147	Bush	0.00	PC	Non-Supply
E10-9	17B1027100	Starting Shaft Assy	0.00	SET	Purchase
E10-10	17B1027220	Starting Mid-Gear Comp.	0.00	SET	Purchase
E10-11	17B1027700	Kick Starter Assy	0.00	PC	Purchase
E10-12	17B1011419	Crankcase cover Gasket, LH	0.00	PC	Purchase
E10-13	17B1011416	Guide Plate	0.00	PC	Purchase
E10-14	GB/T845	Screw ST4x8	0.00	PC	Non-Supply
E10-15	17B1011411	Crankcase Cover, LH	0.00	PC	Purchase
E10-16	17B1011318	Dowel Pin 8x14	0.00	PC	Purchase
E10-17	GB/T16674	Bolt M6x40	0.00	PC	Non-Supply
E10-18	GB/T16674	Bolt M6x65	0.00	PC	Non-Supply
E10-19	17B1016190	Cable Clamp	0.00	PC	Purchase
E10-20	17B1011443	Main Stand Stopper	0.00	PC	Purchase
E10-21	GB/T16674	Bolt M6x12	0.00	PC	Non-Supply
E10-22	17B1023546	Brake Cable Clamp	0.00	PC	Purchase
E10-23	GB/T16674	Bolt M6x22	0.00	PC	Non-Supply

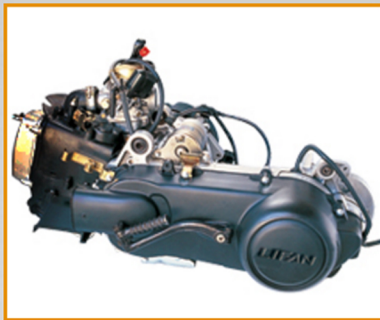


Model: 1P52QMI Update Time: 2010-7-7 10:07:38

E-11 从动轮 DRIVEN PULLEY

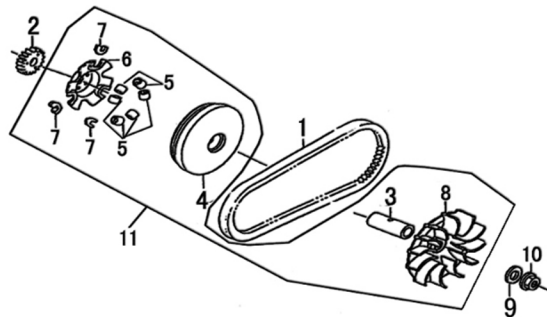


PartNo.	PartCode	Description	U.Price	Unit	Purchase
E11-1	17B1023330	Driven Pulley Comp.	0.00	PC	Purchase
E11-2	17B1021310	Driven Disc Comp.	0.00	PC	Purchase
E11-3	17B1023300	Driven Pulley Assy	0.00	SET	Purchase
E11-4	17B1021391	Washer12.2x29x2.5	0.00	PC	Non-Supply
E11-5	17B1021392	Nut M12	0.00	PC	Purchase

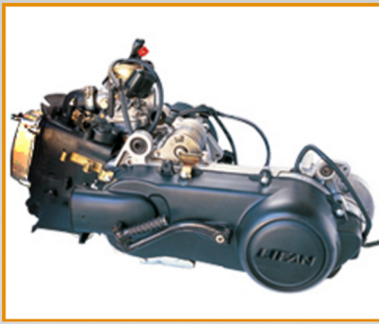


Model: 1P52QMI Update Time: 2010-7-7 10:07:38

E-12 皮带 主动轮 BELT DRIVING

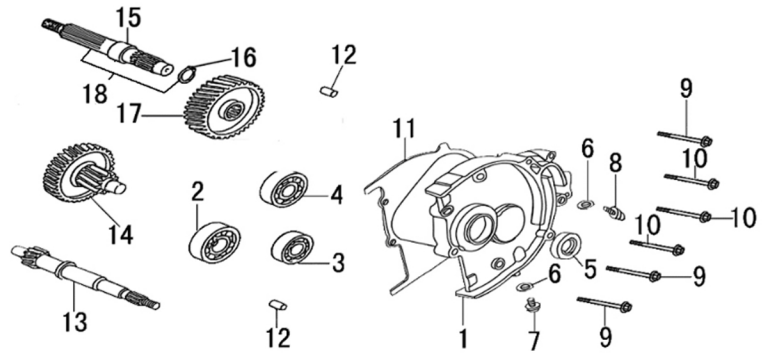


PartNo.	PartCode	Description	U.Price	Unit	Purchase
E12-1	17B1023200	Drive Belt (L=723)	0.00	PC	Purchase
E12-2	17B1027231	Starting Driven Gear (20T)	0.00	PC	Purchase
E12-3	17B1023141	Drive Gear Sleeve	0.00	PC	Purchase
E12-4	17B1023120	Driving Pulley Sliding Plate	0.00	PC	Purchase
E12-5	17B1023130	Centrifugal Roller Set	0.00	PC	Purchase
E12-6	17B1023142	Drive Gear Chuck	0.00	PC	Non-Supply
E12-7	17B1023143	Drive Gear Chuck Slide-Block	0.00	PC	Non-Supply
E12-8	17B1023111	Driving Pulley Fixing Plate	0.00	PC	Purchase
E12-9	17B1023144	Washer 12.2x29x2.5	0.00	PC	Non-Supply
E12-10	17B1023145	Lock Nut M12	0.00	PC	Purchase
E12-11	17B1023100	Driving Pulley Assy	0.00	SET	Purchase

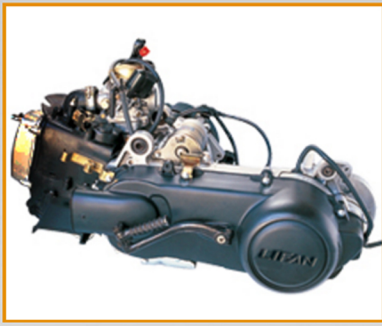


Model: 1P52QMI Update Time: 2010-7-7 10:07:38

E-13 传动系 TRANSMISSION SYSTEM

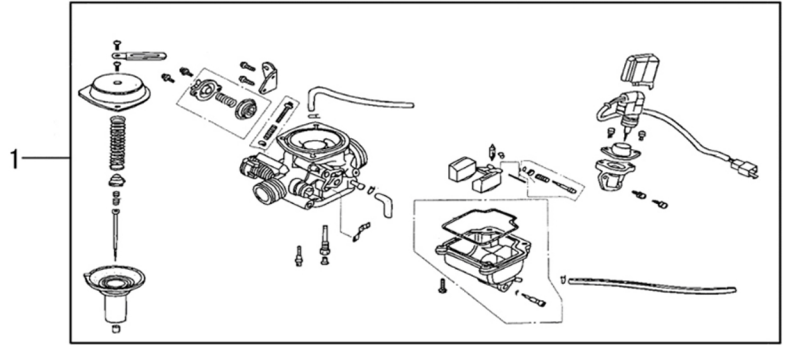


PartNo.	PartCode	Description	U.Price	Unit	Purchase
E13-1	17B1023511	Transmission Case	0.00	PC	Purchase
E13-2	GB/T276	Bearing 6204	0.00	PC	Purchase
E13-3	GB/T276	Bearing 6202	0.00	PC	Purchase
E13-4	GB/T276	Bearing 6203	0.00	PC	Purchase
E13-5	17B1023590	Oil Seal 20x32x6	0.00	PC	Purchase
E13-6	17B1023517	Washer 8	0.00	PC	Non-Supply
E13-7	GB/T16674	Bolt M8x12	0.00	PC	Non-Supply
E13-8	GB/T16674	Bolt M8x12	0.00	PC	Non-Supply
E13-9	GB/T16674	Bolt M6x28	0.00	PC	Non-Supply
E13-10	GB/T16674	Bolt M6x35	0.00	PC	Non-Supply
E13-11	17B1023519	Gasket	0.00	PC	Purchase
E13-12	17B1011318	Dowel Pin 8x14	0.00	PC	Purchase
E13-13	17B1023551	Drive Shaft	0.00	PC	Purchase
E13-14	17B1023560	Mid Shaft Assy	0.00	PC	Purchase
E13-15	17B1023571	Output Shaft	0.00	PC	Non-Supply
E13-16	GB/T894.1	Sping Circlip	0.00	PC	Non-Supply
E13-17	17B1023572	Terminal Gear	0.00	PC	Purchase
E13-18	17B1023570	Output Shaft Set	0.00	PC	Purchase

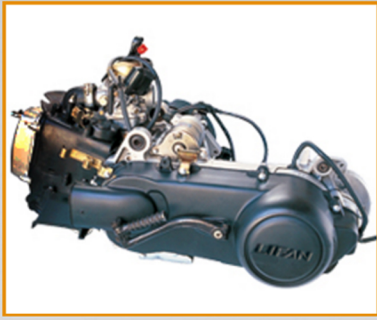


Model: 1P52QMI Update Time: 2010-7-7 10:07:38

E-14 化油器 CARBURETOR

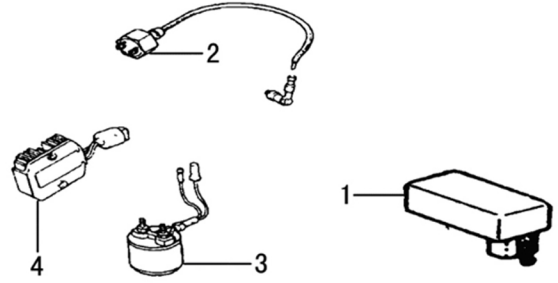


PartNo.	PartCode	Description	U.Price	Unit	Purchase
E14-1	17B1016100	Carburetor Assy	0.00	PC	Purchase



Model: 1P52QMI Update Time: 2010-7-7 10:07:38

E-15 电器 ELECTRIC ELEMENTS



PartNo.	PartCode	Description	U.Price	Unit	Purchase
E15-1	17B1034400	Ignition Controller	0.00	PC	Purchase
E15-2	17B1034500	Ignition Coil	0.00	PC	Purchase
E15-3	17B1034600	Start Relay	0.00	PC	Purchase
E15-4	17B1031600	Voltage Regulator	0.00	PC	Purchase